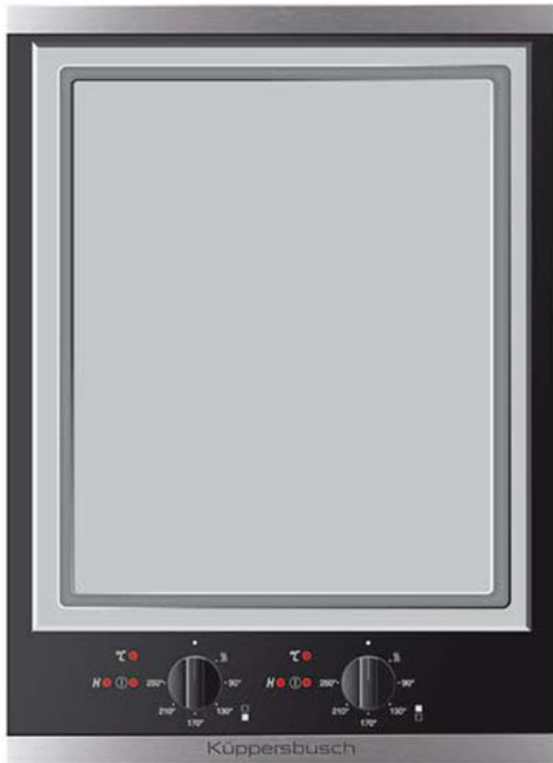




Küppersbusch



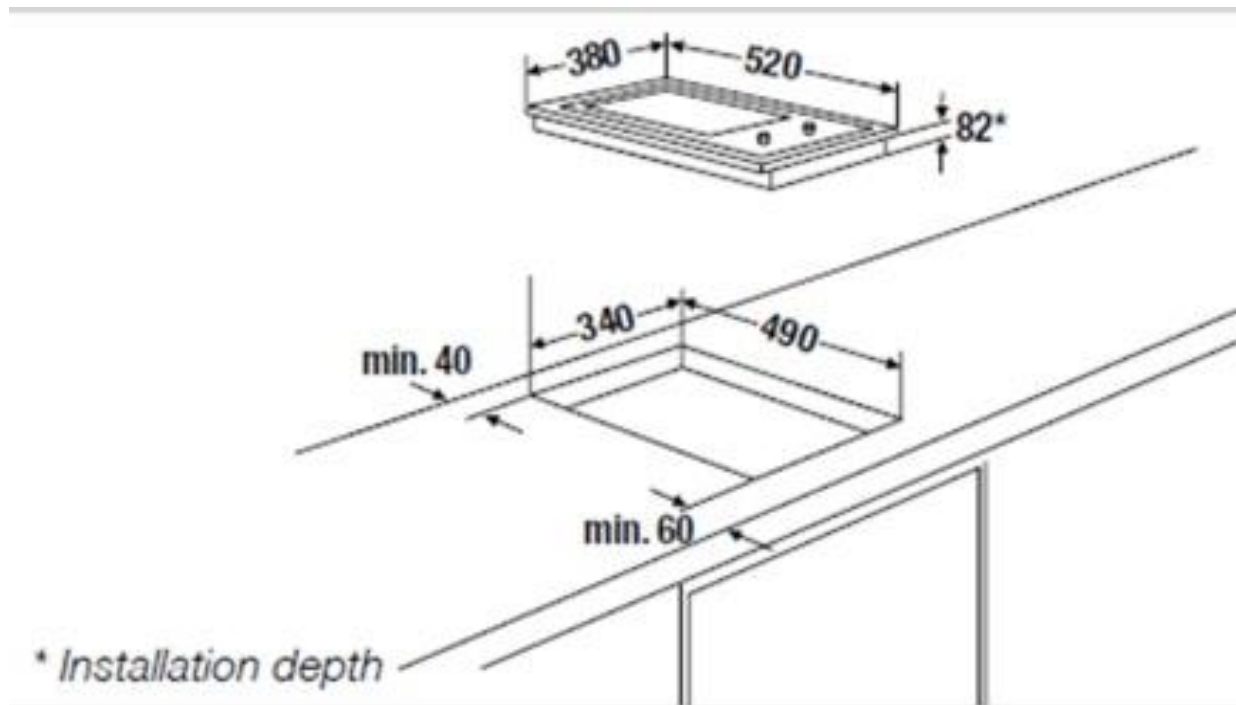
Brand : KUPPERSBUSCH, Germany
Name : Profession+ VarioLine / Built-in
TeppanYaki griddle
VKET 3800.0 SR
Item Code : 705430
Color/Finish: Black, Design stainless steel
Dimensions : Overall: 380 W x 518 D mm
Opening: 340 W x 490 D mm

Product info:

- variable power control 90°C to 180°C
- stainless steel cover
- removable stainless steel fryer container

Add on:

- 1114 Tepanyaki set (Asian chef's knife, spatula, cleaning scraper)



Follow cleaning instructions and avoid using any harmful chemicals.

All information is for reference only. Installation shall always be based on the specs provided with actual delivered items.

For more info, visit www.kuysen.com