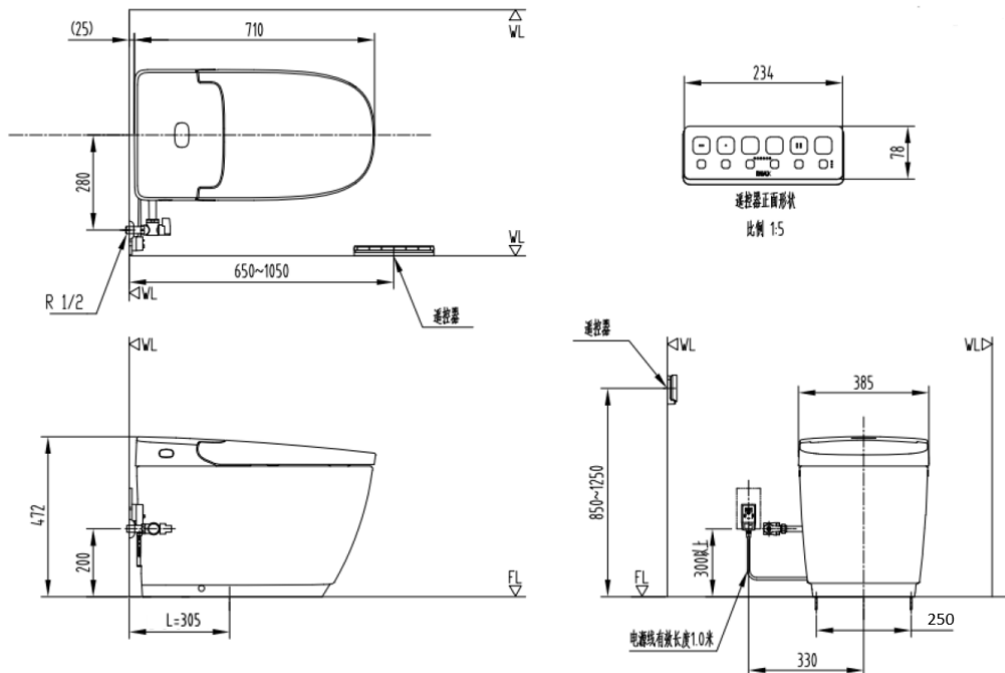




Brand : INAX, Japan  
 Name : SARAS with remote control  
 Item Code : AC220V/50/60Hz  
 AC-819VN  
 Designer :  
 Color / Finish: White  
 Dimensions : 710(L) x 385 (W) x 472(H) mm

**Product info:**

- Touchless automatic flushing, with manual override
- Aqua Ceramic technology: yellow or water stains cannot form on bowl
- Auto soft-close lid seat open/close
- Powerful vortex 3.5/5lpm flush technology (S—trap 305mm)
- 2 specialized nozzles that clean automatically before & after use
- With anti-bacterial technology on the nozzle and seat (SIAA certified)



Flushing of pipe must be done before fittings are installed. Failure to do so voids the warranty.

Follow cleaning instructions and avoid using any harmful chemicals.

All information is for reference only. Installation shall always be based on the specs provided with actual delivered items.

For more info, visit [www.kuysen.com](http://www.kuysen.com)