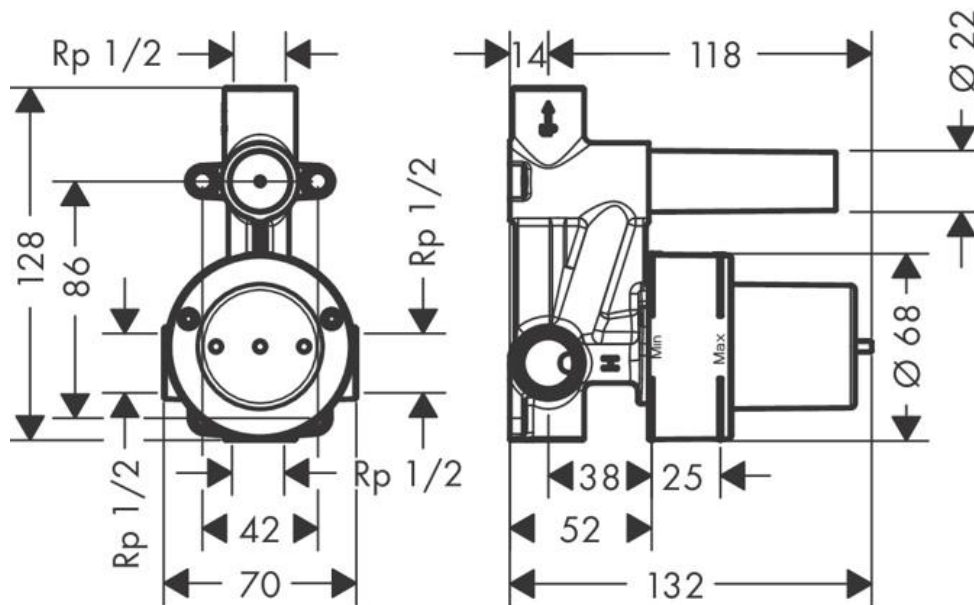




Brand : Hansgrohe, Germany
 Name : Concealed Part
 Item Code : 71465.187
 Designer:
 Color/Finish :
 Dimensions: 70 x 132 x 128 mm

Product info:

- connection dimension: DN15
- ceramic cartridge
- maximum flow rate at 3 bar: 14,5 l/min



Flushing of pipe must be done before fittings are installed. Failure to do so voids the warranty.

Follow cleaning instructions and avoid using any harmful chemicals.

All information is for reference only. Installation shall always be based on the specs provided with actual delivered items.

For more info, visit www.kuysen.com