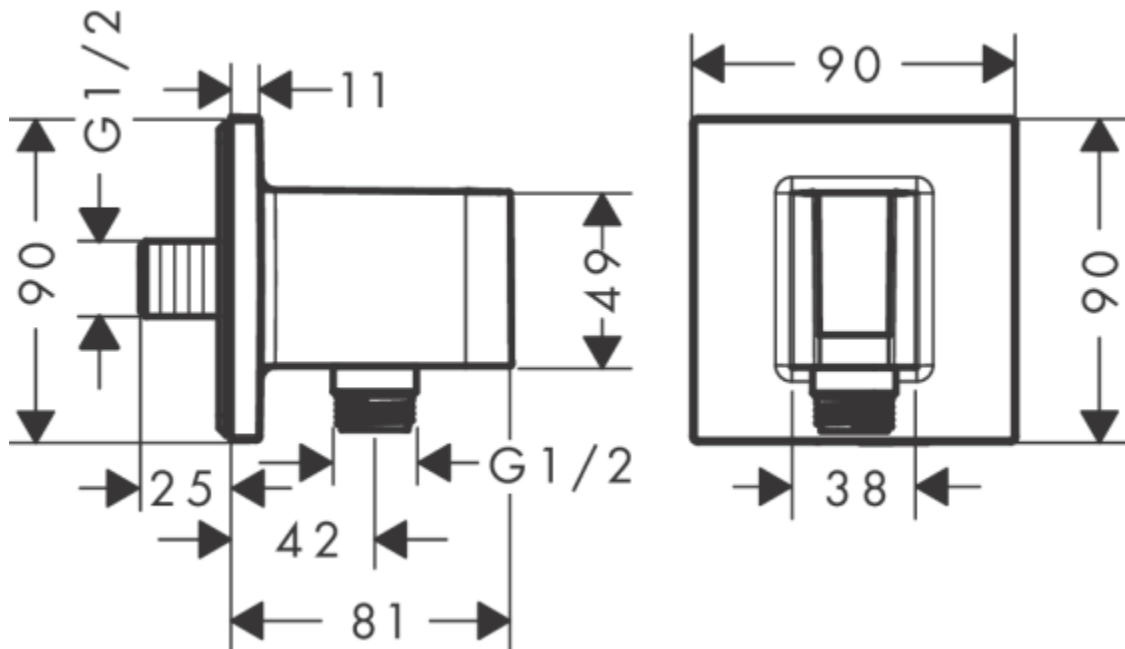




Brand : Hansgrohe, Germany
 Name : Fix fit shower holder
 Item Code : 26889.000
 Designer:
 Color/Finish : Chrome
 Dimensions: 90 x 90 mm

Product info:

- Shower holder
- consists of wall connector, escutcheon
- version: plastic housing with internal water supply made of plastic
- Fixed holding position
- For all Hansgrohe hand shower
- material: plastic
- with non-return valve
- connection type: G ½



Flushing of pipe must be done before fittings are installed. Failure to do so voids the warranty.

Follow cleaning instructions and avoid using any harmful chemicals.

All information is for reference only. Installation shall always be based on the specs provided with actual delivered items.

For more info, visit www.kuysen.com