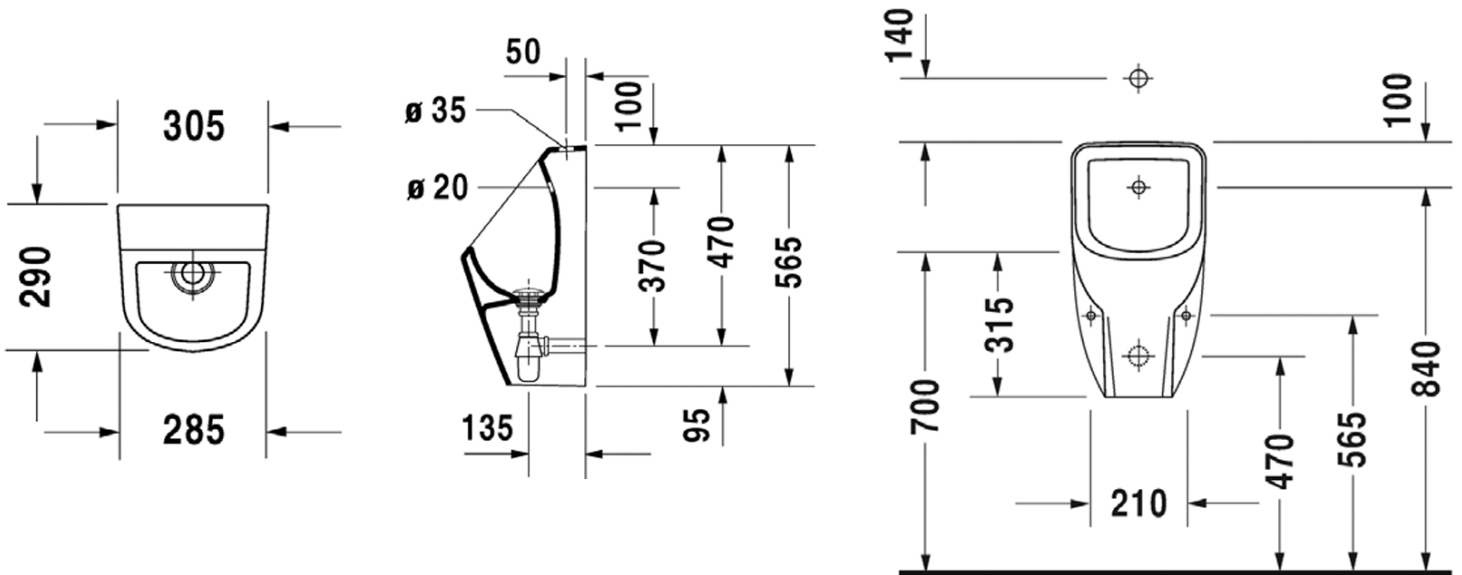




Brand: Duravit, Germany  
 Name: D-Code Visible inlet with GWF18 elbow  
 Item Code: 082830.0000  
 Designer: SiegerDesign  
 Color / Finish: White Alpin  
 Dimensions: 305 x 295 mm

Product info:

- Visible inlet
- Rimless
- Includes jet nozzle, inlet-set, waste and bottle trap Ø32mm and fixings



Flushing of pipe must be done before fittings are installed. Failure to do so voids the warranty.

Follow cleaning instructions and avoid using any harmful chemicals.

All information is for reference only. Installation shall always be based on the specs provided with actual delivered items.

For more info, visit [www.kuysen.com](http://www.kuysen.com)