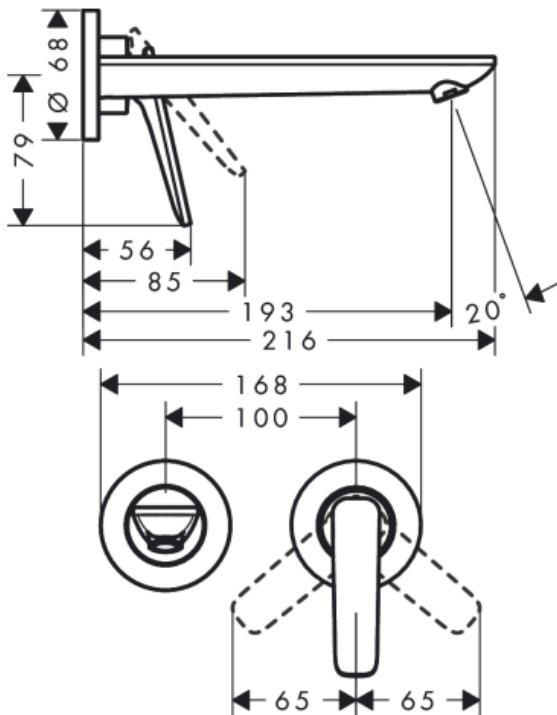




Brand: Axor, Germany  
 Name: 2 Hole basin mixer for concealed installation wall-mounted with escutcheons with structure  
 Item Code: 49111.000  
 Designer: Antonio Citterio  
 Color / Finish: Chrome  
 Dimensions: 216 x 168 mm

#### Product info:

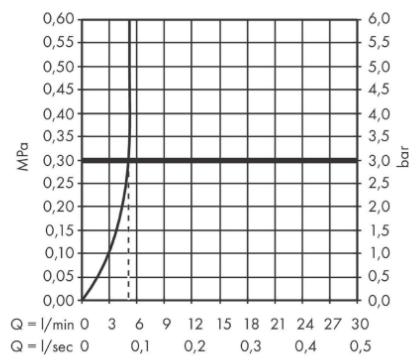
- Consists of overhead single lever basin mixer for concealed installation wall-mounted, waste set
- Projection: 193 mm
- Handle variant: lever handle
- Spray type: normal spray
- Maximum flow rate at 3 bar: 5 l/min
- Ceramic cartridge
- Suitable for continuous flow water heaters
- Non-closing waste set
- Connection type: basic set
- Connection dimension: DN15
- Handle can be positioned on the right or left
- Depending on the basic set installation



### Technology



### Flowchart



Follow cleaning instructions and avoid using any harmful chemicals.

All information is for reference only. Installation shall always be based on the specs provided with actual delivered items.  
 For more info, visit [www.kuysen.com](http://www.kuysen.com)