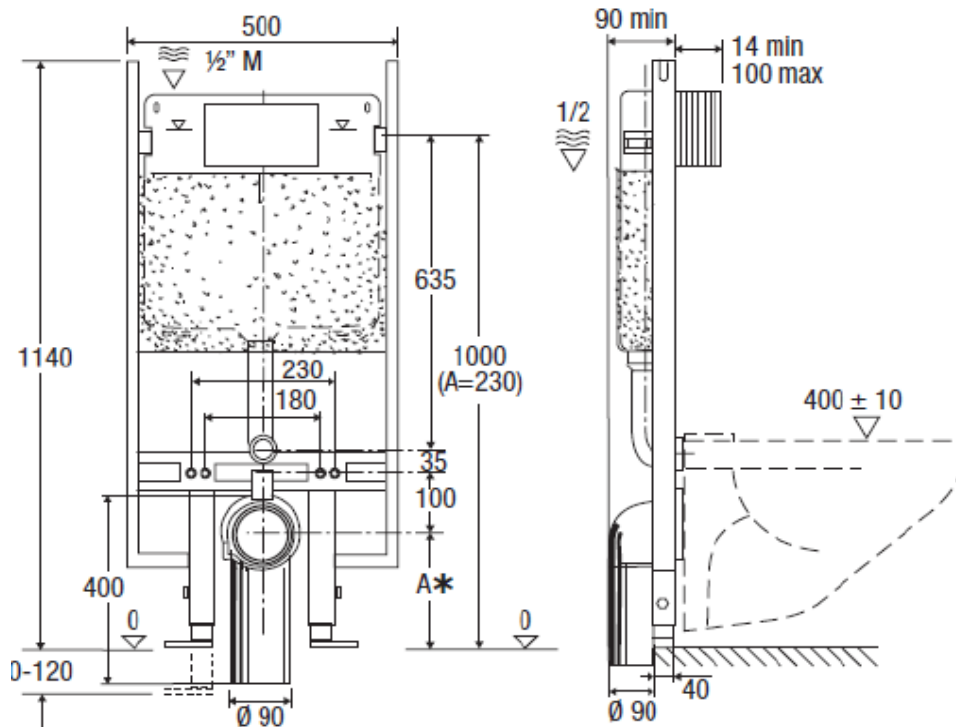


SPECIFICATION SHEET - Plumbing fittings

BRAND:		Product Photo: 
ORIGIN:	Germany	
SERIES:	TROPEA3 Block S90	
PRODUCT DESCRIPTION:	Concealed cistern with metallic support frame for wall hung toilet, with: 3/6L Dual flush Mechanical operation	
MODEL No.	VS0859211	
FINISH/COLOUR:		
DIMENSIONS:	500mm x 90mm x 1140mm	
OPTIONAL MATCHING PARTS:	Front cover finish set	

Technical Informations:



REMINDER:	Pipe flushing must be done before faucets are installed. Failure to do so voids the warranty.
	Do not use cleaners containing abrasive cleansers, ammonia, bleach, acids, waxes, alcohol, solvents or other products not recommended for chrome.
	All information is for reference only, installation shall always be based on the actual product delivered.