

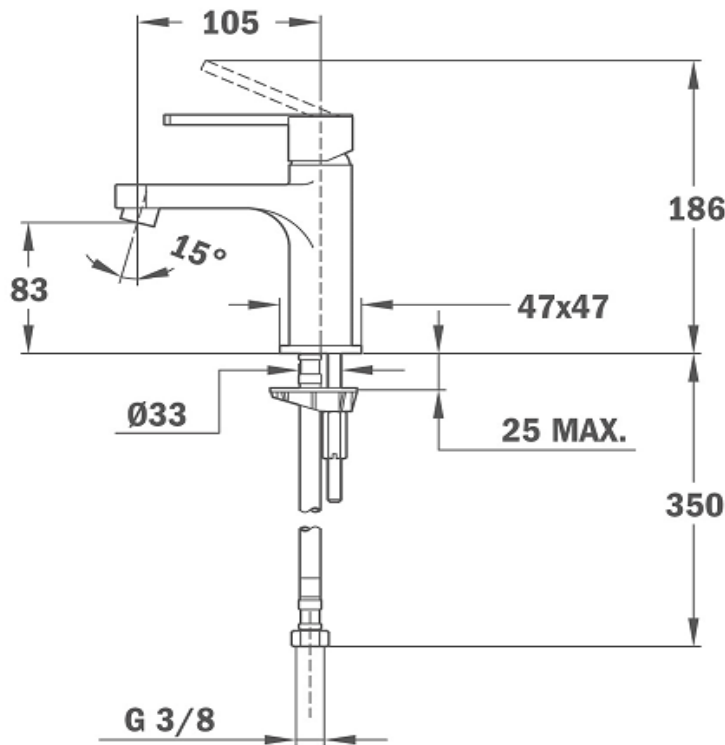


SPECIFICATION SHEET - sanitary faucets

BRAND:		Product Photo: 
ORIGIN:	China	
SERIES:	AURA	
PRODUCT DESCRIPTION:	Single lever basin mixer, with: With pop-up waste 3/8" flexible inlet pipes 25mm cartridge Anti-scale aerator Operation pressure 1~5 bar (14~73 psi)	
MODEL No.	50.342.0200	
FINISH/COLOUR:		
DIMENSIONS:		
OPTIONAL MATCHING PARTS:	2x angle valve 1/2"x3/8" P-trap or bottle trap for basin 1 1/4"	

Technical Informations:



REMINDER:	<p style="color: magenta;">Pipe flushing must be done before faucets are installed. Failure to do so voids the warranty.</p> <p>Do not use cleaners containing abrasive cleansers, ammonia, bleach, acids, waxes, alcohol, solvents or other products not recommended for chrome.</p> <p>All information is for reference only, installation shall always be based on the actual product delivered.</p>
------------------	---