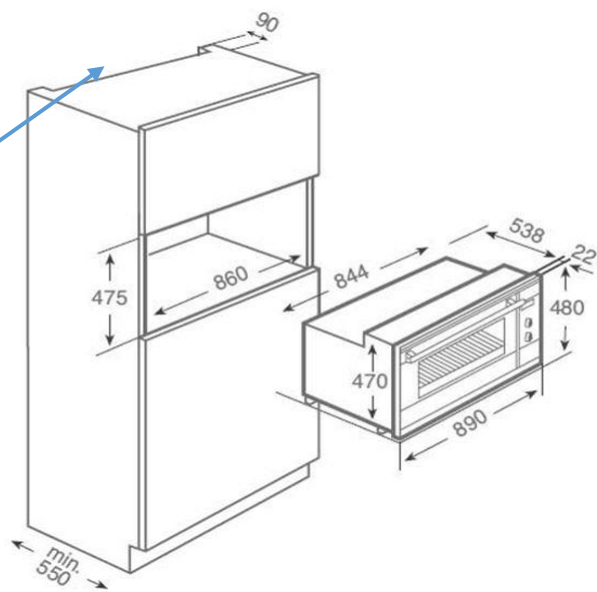


SPECIFICATION SHEET - appliances

BRAND:		Product Photo:
ORIGIN:	Spain	
SERIES:	ADVAND	
PRODUCT DESCRIPTION:	Built-in Multifunction turbo oven , with Hydroclean cleaning system Energy class: A Capacity : 77/91 litres (net/gross) 10 cooking functions Touch Control panel Forced ventilation 2 telescopic guides (1 Plus extraction) Drop down maxi grill Pop-up control knobs Children safety block Triple glazed door Full glass inner door Deep tray and baking tray Reinforced grid	
MODEL No.	4159.2210	
FINISH/COLOUR:	Fingerprint proof stainless steel	
DIMENSIONS:	480 x 890 x 538 mm	
OPTIONAL MATCHING PARTS:		

Technical Informations:
 Voltage: 220V / 50~60 Hz
 Wattage: 3553 watts
 Phase: single+grounding

Ventilation duct min. 800 cm2



REMINDER: Do not use cleaners containing abrasive cleansers, ammonia, bleach, acids, waxes, alcohol, solvents or other products not recommended for chrome.
 All information is for reference only, installation shall always be based on the actual product delivered.