

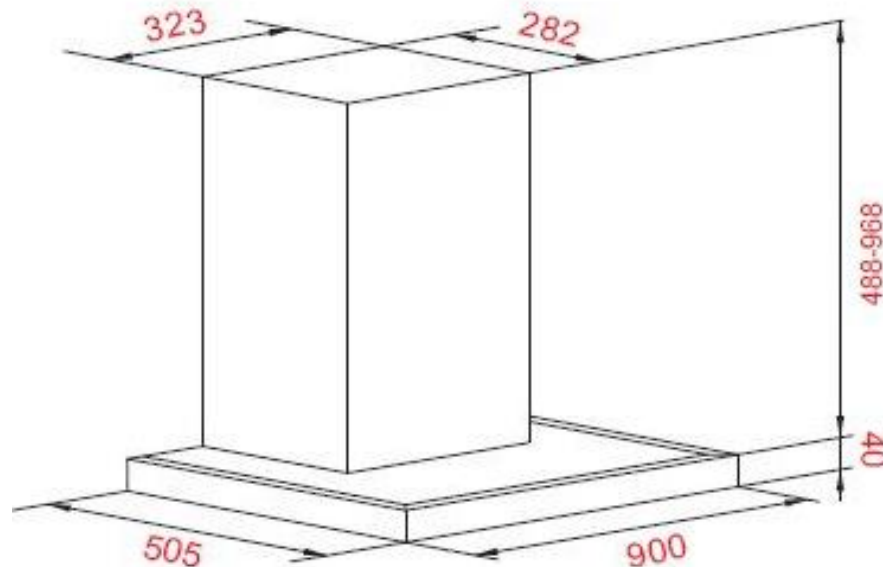


## SPECIFICATION SHEET - appliances

<b>BRAND:</b>		<b>Product Photo:</b>  
<b>ORIGIN:</b>	China	
<b>SERIES:</b>	<b>Wall hoods</b>	
<b>PRODUCT DESCRIPTION:</b>	<b>Wall hood DSI90.1, with:</b> Touch control panel with digital display 2 integrated LED lamps (1.5W) Double turbine motor Invisible display Metal filters 3 speeds with cap 377 ~ 702m3/hr Free outlet 702 m3/hr	
<b>MODEL No.</b>	4049.1535	
<b>FINISH/COLOUR:</b>	INOX STEEL	
<b>DIMENSIONS:</b>	900 x 505 mm	
<b>OPTIONAL MATCHING PARTS:</b>	Charcoal filter 6180.1254	

**Technical Informations:**

Voltage: 220V / 50~60 Hz  
 Power: 213W  
 Phase: single+grounding



<b>REMINDER:</b>	Do not use cleaners containing abrasive cleansers, ammonia, bleach, acids, waxes, alcohol, solvents or other products not recommended for chrome. All information is for reference only, installation shall always be based on the actual product delivered.
------------------	---