

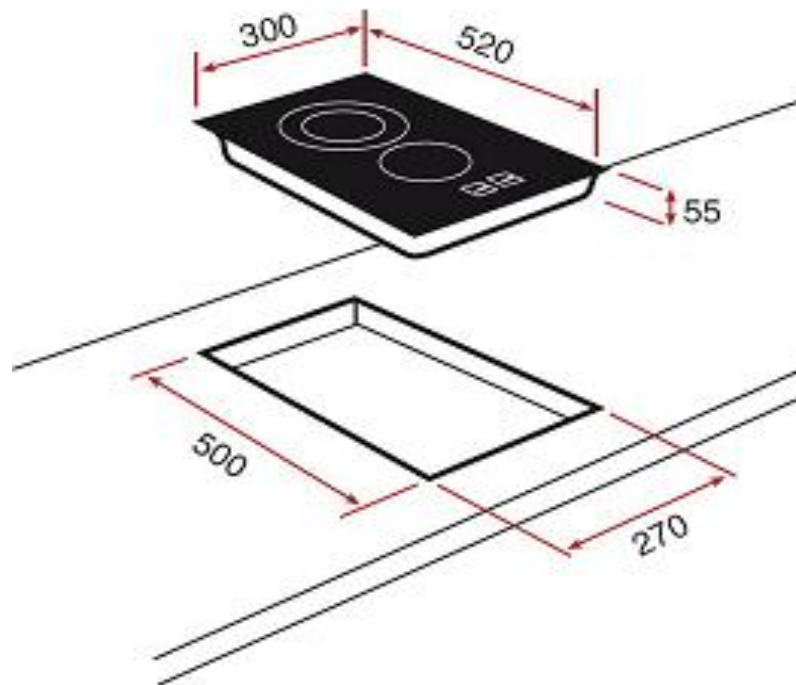


SPECIFICATION SHEET - appliances

BRAND:		Product Photo: 
ORIGIN:	Spain	
SERIES:	GAS HOB ON GLASS	
PRODUCT DESCRIPTION:	Built-in gas hob on glass VT.2.2G.AI.AL, with Cast iron grid Auto-ignition Auto-lock safety device Metallic frontal knobs 2 cooking zones: 1 fast burner (2.5 kW) 1 auxiliary burner (1 kW) Gas typology: LPG	
MODEL No.	4022.8040	
FINISH/COLOUR:	Bevelled ceramic glass	
DIMENSIONS:	300 X 520 mm	
OPTIONAL MATCHING PARTS:		

Technical Informations:

Voltage: 220V / 50~60 Hz
 Wattage: 0.6 watt
 Phase: single+grounding



ATTENTION: Cut hole must be with round corners in order to avoid cracking on the counter-top.
 Beaware of the big burners may affect the upturn of the counter-top.

REMINDER:	Do not use cleaners containing abrasive cleansers, ammonia, bleach, acids, waxes, alcohol, solvents or other products not recommended for chrome.
	All information is for reference only, installation shall always be based on the actual product delivered.