
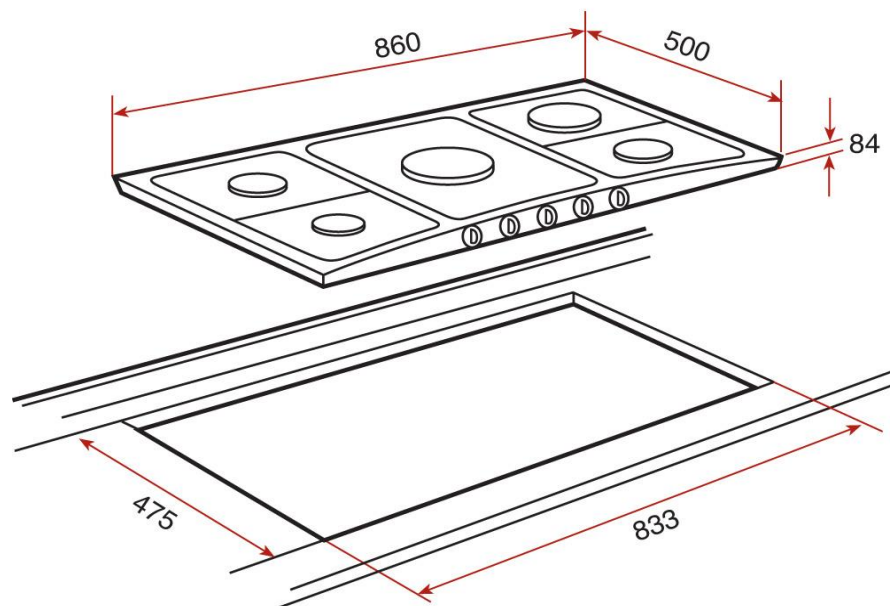


SPECIFICATION SHEET - appliances

BRAND:		Product Photo: 
ORIGIN:	Spain	
SERIES:	GAS HOB	
PRODUCT DESCRIPTION:	Built-in gas hob EX/90.5G.AI.AL.TR.CI, with: Grid options: Enamelled or matt finish Metal looking frontal knobs Auto-ignition Auto-lock safety device 5 cooking zones: 1 triple ring burner (3.1 kw) 1 fast burner (2.8 kW) 2 semi-fast burner (1.75 kW) 1 auxillary burner (1.0 kW) Gas typology: LPG	
MODEL No.	4022.4302	
FINISH/COLOUR:	INOX STEEL	
DIMENSIONS:	860 x 500 mm	
OPTIONAL MATCHING PARTS:		

Technical Informations:

Voltage: 220V / 50~60 Hz
Wattage
Phase: single+grounding



ATTENTION: Cut hole must be with round corners in order to avoid cracking on the counter-top.
Beaware of the big burners may affect the upturn of the counter-top.

REMINDER:	Do not use cleaners containing abrasive cleansers, ammonia, bleach, acids, waxes, alcohol, solvents or other products not recommended for chrome.
	All information is for reference only, installation shall always be based on the actual product delivered.