
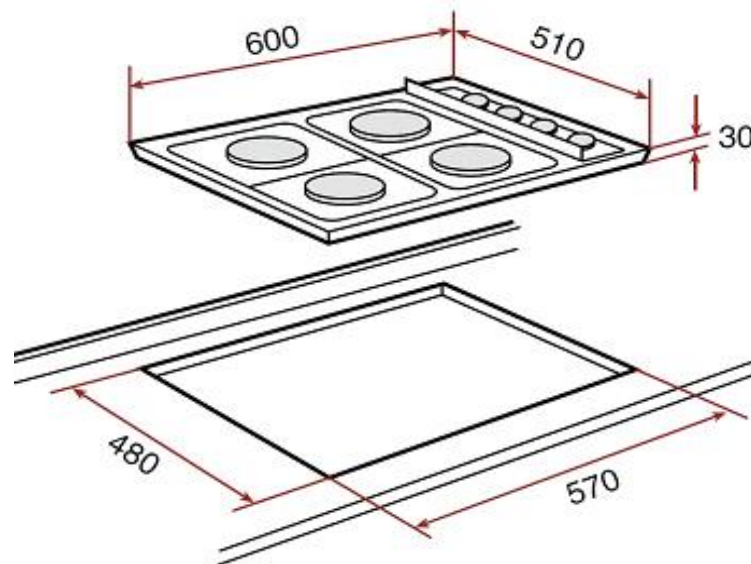


SPECIFICATION SHEET - appliances

BRAND:		Product Photo: 
ORIGIN:	Spain	
SERIES:	GAS & ELECTRIC HOB E/60.3.3G.1P.AI.AL	
PRODUCT DESCRIPTION:	Built-inn gas/electric hob E/60.3.3G.1P.AI.AL , with stainless steel with enamelled grids Metal looking frontal knobs Auto-ignition Auto-lock safety device 4 cooking zones: 1 semi-fast burner (1.75 kW) 1 fast burner (3 kW) 1 auxiliary burner (1 kW) 1 electric plate 145 mm Ø (1 kW) Gas typology: LPG	
MODEL No.	4020.7115	
FINISH/COLOUR:	INOX STEEL	
DIMENSIONS:	600 X 510 mm	
OPTIONAL MATCHING PARTS:		

Technical Informations:
 Voltage: 220V / 50~60 Hz
 Wattage: 1,500 Watts
 Phase: single+grounding



ATTENTION: Cut hole must be with round corners in order to avoid cracking on the counter-top.

REMINDER: Do not use cleaners containing abrasive cleansers, ammonia, bleach, acids, waxes, alcohol, solvents or other products not recommended for chrome.
 All information is for reference only, installation shall always be based on the actual product delivered.