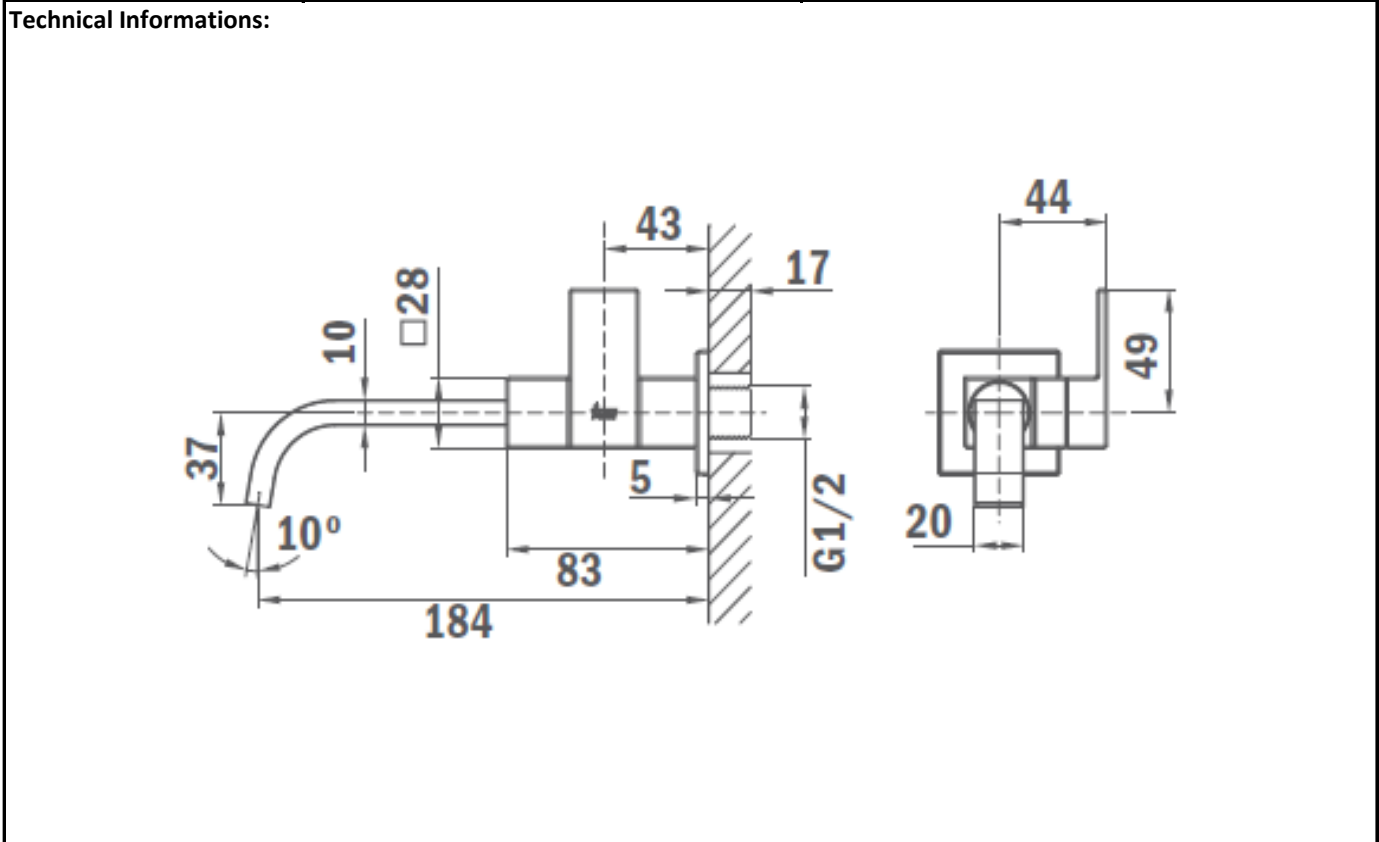


SPECIFICATION SHEET - sanitary faucets

BRAND:		Product Photo: 
ORIGIN:	China	
SERIES:	SINK TAPS	
PRODUCT DESCRIPTION:	IN153 Sink Wall Tap (cold water)	
MODEL No.	16.153.02	
FINISH/COLOUR:	chrome-plated	
DIMENSIONS:	184mm spout projection	
OPTIONAL MATCHING PARTS:		



REMINDER:	<p style="color: magenta;">Pipe flushing must be done before faucets are installed. Failure to do so voids the warranty.</p> <p>Do not use cleaners containing abrasive cleansers, ammonia, bleach, acids, waxes, alcohol, solvents or other products not recommended for chrome.</p> <p>All information is for reference only, installation shall always be based on the actual product delivered.</p>
------------------	---