



### SPECIFICATION SHEET - appliances

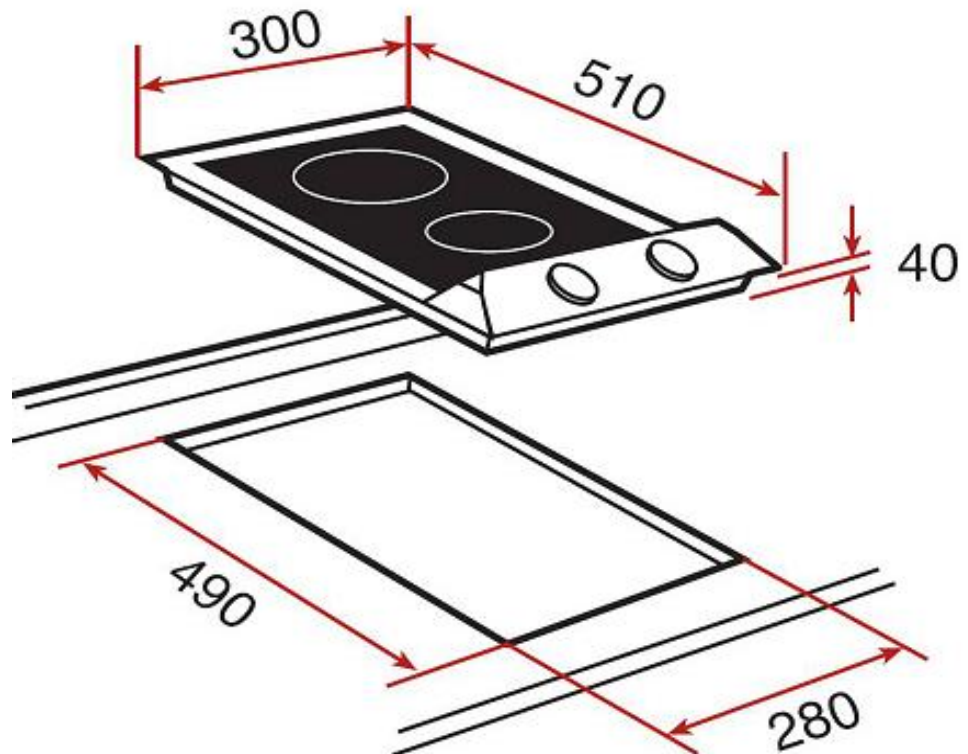
|                                 |   |  |
|---------------------------------|---|--|
| <b>BRAND:</b>                   |    | <b>Product Photo:</b><br><br> |
| <b>ORIGIN:</b>                  | Spain   |  |
| <b>SERIES:</b>                  | <b>ELECTRIC MODULAR HOBS</b>  |  |
| <b>PRODUCT DESCRIPTION:</b>     | <b>Built-in electric modular hob EM/30.2P, with:</b><br>Modular electric hob<br>Stainless steel frame<br>Metal looking frontal knobs<br>2 cooking zones:<br>1 electric plate 180mm Ø (1.5 kW)<br>1 electric plate 145 mm Ø (1.5 kW) |  |
| <b>MODEL No.</b>                | 1020.9611   |  |
| <b>FINISH/COLOUR:</b>           | INOX STEEL  |  |
| <b>DIMENSIONS:</b>              | 300 X 510 mm  |  |
| <b>OPTIONAL MATCHING PARTS:</b> |   |  |

**Technical Informations:**

Voltage: 220V / 50~60 Hz

Wattage: 3000 watts

Phase: single+grounding



|                  |   |
|------------------|---|
| <b>REMINDER:</b> | Do not use cleaners containing abrasive cleansers, ammonia, bleach, acids, waxes, alcohol, solvents or other products not recommended for chrome. |
|                  | All information is for reference only, installation shall always be based on the actual product delivered.  |