


SPECIFICATION SHEET - appliances

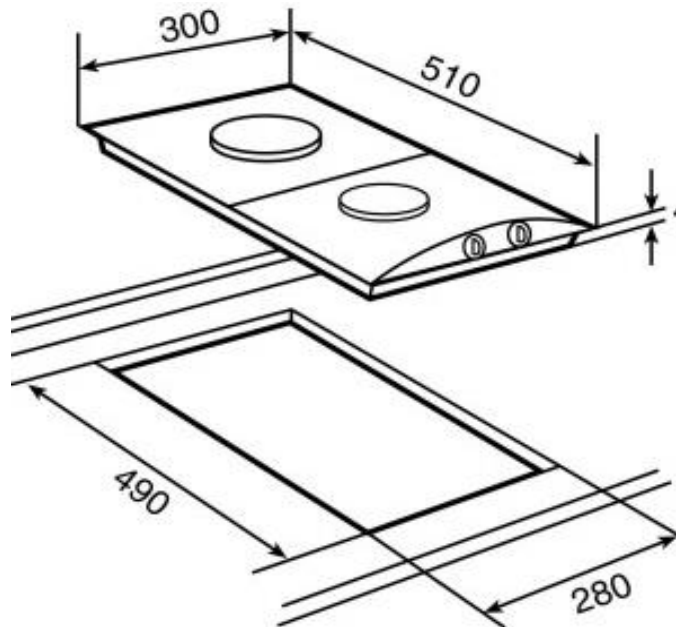
BRAND:		Product Photo: 
ORIGIN:	Spain	
SERIES:	GAS MODULAR HOB EM/30.2G.AI.AL	
PRODUCT DESCRIPTION:	Built-in gas modular hob EM/30.2G.AI.AL , with Stainless steel frame Enamelled grid Auto-ignition Auto-lock safety device Metal looking frontal knobs 2 cooking zones: 1 fast burner (3 kW) 1 auxiliary burner (1 kW) Gas typology: LPG (butane/propane)	
MODEL No.	1020.9606	
FINISH/COLOUR:	INOX STEEL	
DIMENSIONS:	300 X 510 mm	
OPTIONAL MATCHING PARTS:		

Technical Informations:

Voltage: 220V / 50~60 Hz

Wattage: 0.6 watt

Phase: single+grounding



ATTENTION: Cut hole must be with round corners in order to avoid cracking on the counter-top.

REMINDER:	Do not use cleaners containing abrasive cleansers, ammonia, bleach, acids, waxes, alcohol, solvents or other products not recommended for chrome.
	All information is for reference only, installation shall always be based on the actual product delivered.