

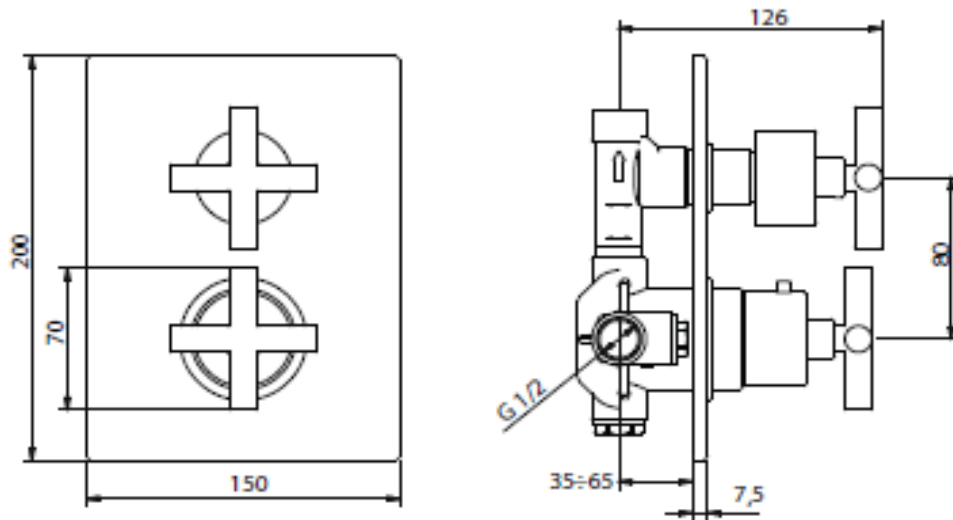


SPECIFICATION SHEET - fittings

BRAND:		Product Photo: 
ORIGIN:	Italy	
SERIES:	VERTIGO	
PRODUCT DESCRIPTION:	2way built-in thermostatic mixer	
MODEL No.	57052	
FINISH/COLOUR:	Chrome	
DIMENSIONS:	200mm x 150mm	
OPTIONAL MATCHING PARTS:		

Technical Informations:



REMINDER:	Pipe flushing must be done before faucets are installed. Failure to do so voids the warranty.
	Do not use cleaners containing abrasive cleansers, ammonia, bleach, acids, waxes, alcohol, solvents or other products not recommended for chrome.
	All information is for reference only, installation shall always be based on the actual product delivered.