

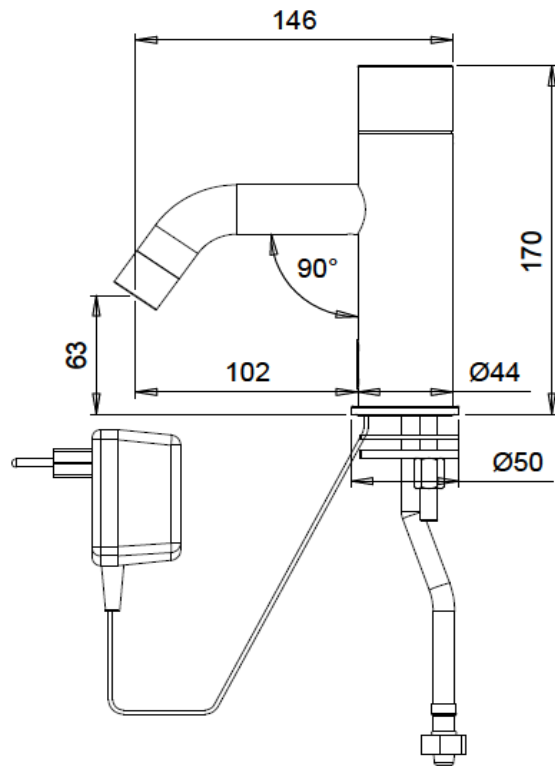


## SPECIFICATION SHEET - fittings

<b>BRAND:</b>		<b>Product Photo:</b>  
<b>ORIGIN:</b>	Israel	
<b>SERIES:</b>	<b>EXTREME BRE</b>	
<b>PRODUCT DESCRIPTION:</b>	Infra-red sensor tap, single water or pre-mixed water transformer ring of blue light will blink while water is flowing AC230V/50~60Hz supply with 9V transformer	
<b>MODEL No.</b>	237305	
<b>FINISH/COLOUR:</b>	Chrome plated	
<b>DIMENSIONS:</b>	170mm height 102mm spout projection	
<b>OPTIONAL MATCHING PARTS:</b>	1x angle valve with filter (no nut)	

**Technical Informations:**



<b>REMINDER:</b>	<p style="color: magenta;">Pipe flushing must be done before faucets are installed. Failure to do so voids the warranty.</p> <p>Do not use cleaners containing abrasive cleansers, ammonia, bleach, acids, waxes, alcohol, solvents or other products not recommended for chrome.</p> <p>All information is for reference only, installation shall always be based on the actual product delivered.</p>
------------------	---