

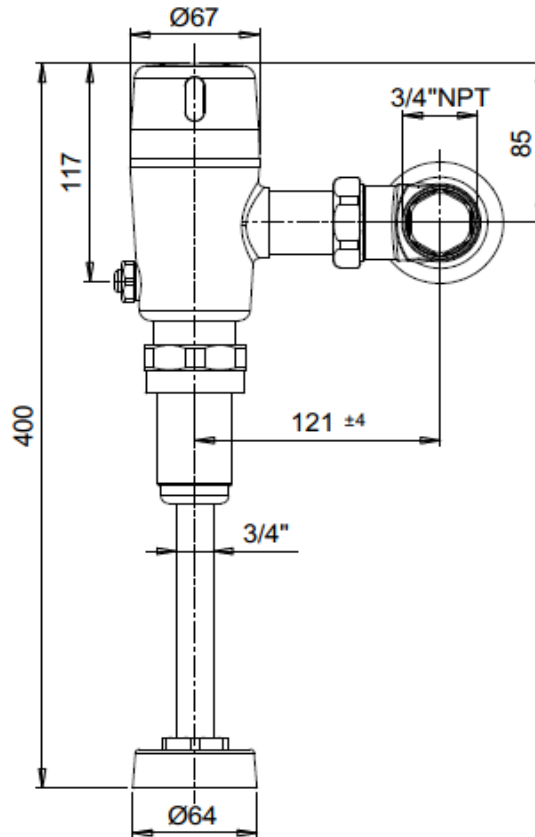


## SPECIFICATION SHEET - fittings

<b>BRAND:</b>		<b>Product Photo:</b> 
<b>ORIGIN:</b>	Israel	
<b>SERIES:</b>	<b>JUPITER 3002R</b>	
<b>PRODUCT DESCRIPTION:</b>	Infrared sensor urinal flush valve, with: internally mounted DC 9V battery with side inlet & shut off valve	
<b>MODEL No.</b>	140105	
<b>FINISH/COLOUR:</b>	Chrome plated	
<b>DIMENSIONS:</b>	400mm height	
<b>OPTIONAL MATCHING PARTS:</b>		

**Technical Informations:**



<b>REMINDER:</b>	Pipe flushing must be done before faucets are installed. Failure to do so voids the warranty.
	Do not use cleaners containing abrasive cleansers, ammonia, bleach, acids, waxes, alcohol, solvents or other products not recommended for chrome.
	All information is for reference only, installation shall always be based on the actual product delivered.