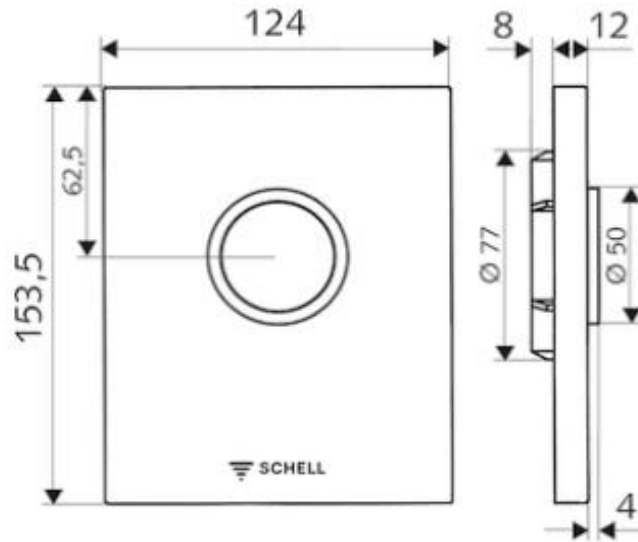


SPECIFICATION SHEET - fittings

BRAND:		Product Photo: 
ORIGIN:	Germany	
SERIES:	SCHELL EDITION	
PRODUCT DESCRIPTION:	Urinal push plate manual (front panel plastic) comprising of: - operating panel with push button - mounting rail - mechanical plastic cartridge with integrated nozzleed aperture pre-filter	
MODEL No.	2800.0699	
FINISH/COLOUR:	Chrome	
DIMENSIONS:		
OPTIONAL MATCHING PARTS:	Roughing-in set 01193.0099	

Technical Informations:



REMINDER:	<p style="color: magenta;">Pipe flushing must be done before faucets are installed. Failure to do so voids the warranty.</p> <p>Do not use cleaners containing abrasive cleansers, ammonia, bleach, acids, waxes, alcohol, solvents or other products not recommended for chrome.</p> <p>All information is for reference only, installation shall always be based on the actual product delivered.</p>
------------------	---