

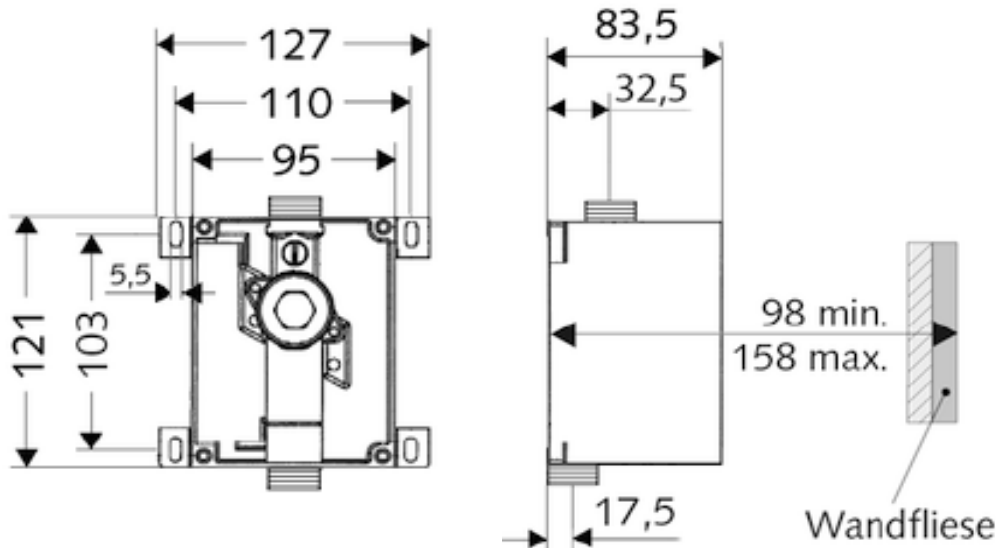


SPECIFICATION SHEET - fittings

BRAND:		Product Photo: 
ORIGIN:	Germany	
SERIES:	SCHELL COMPACT II	
PRODUCT DESCRIPTION:	Rough-in set for electrical or mechanical actuation 0.8 - 5 bar flow pressure, 0.3 L/s flush volume comprising of: plastic construction casing with protection cover pre-assembled water path with isolating valve, sealing plug	
MODEL No.	1193.0099	
FINISH/COLOUR:		
DIMENSIONS:		
OPTIONAL MATCHING PARTS:	Front cover 02800.0699 or 02806,0699	

Technical Informations:



REMINDER:	<p style="color: magenta;">Pipe flushing must be done before faucets are installed. Failure to do so voids the warranty.</p> <p>Do not use cleaners containing abrasive cleansers, ammonia, bleach, acids, waxes, alcohol, solvents or other products not recommended for chrome.</p> <p>All information is for reference only, installation shall always be based on the actual product delivered.</p>
------------------	---