

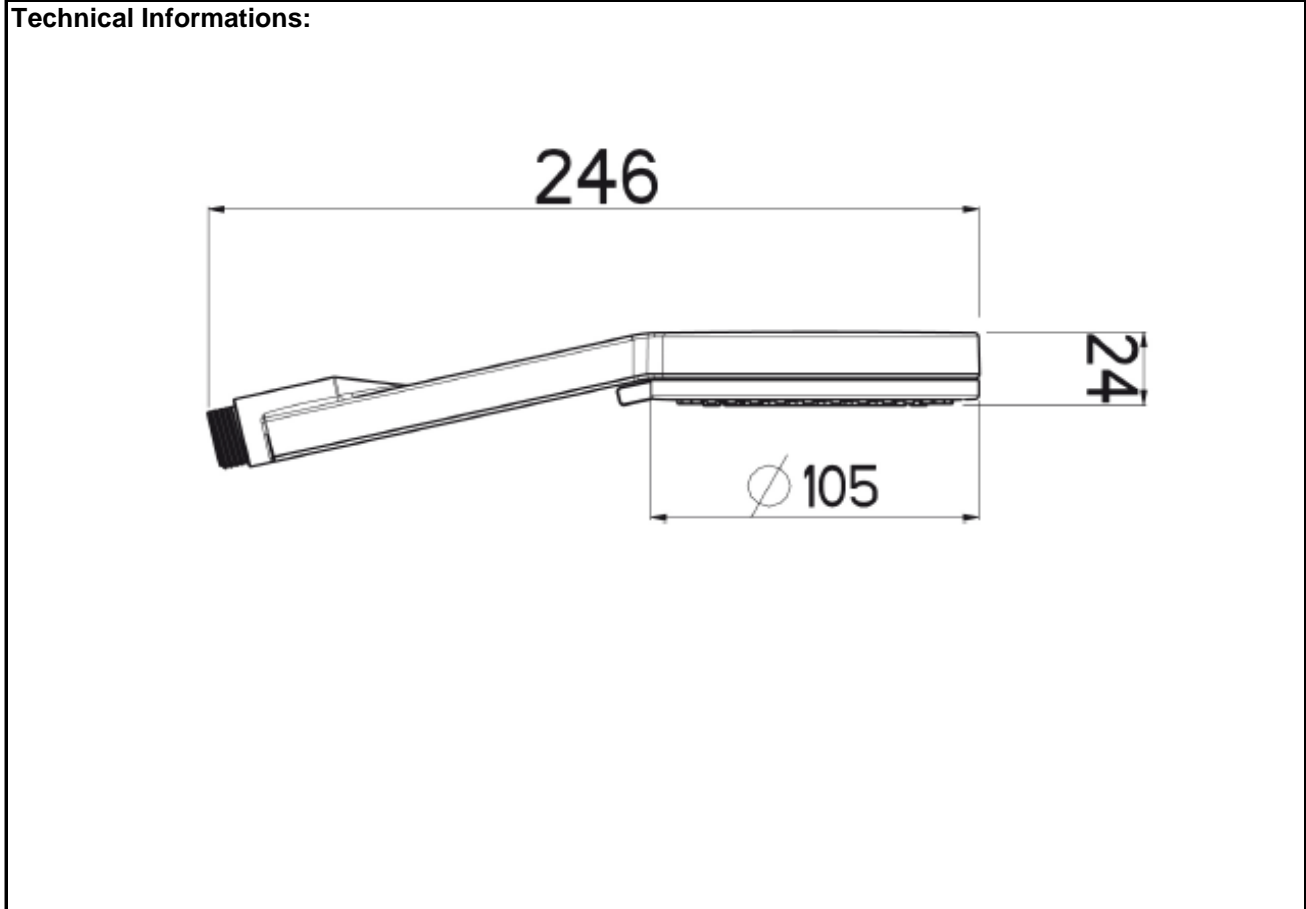


SPECIFICATION SHEET - fittings

BRAND:		Product Photo: 
ORIGIN:	Switzerland	
SERIES:		
PRODUCT DESCRIPTION:	FRESH 105 DUO 2jet handshower	
MODEL No.	D0505QD	
FINISH/COLOUR:	Chrome	
DIMENSIONS:		
OPTIONAL MATCHING PARTS:		



REMINDER:	<p style="color: magenta;">Pipe flushing must be done before faucets are installed. Failure to do so voids the warranty.</p> <p>Do not use cleaners containing abrasive cleansers, ammonia, bleach, acids, waxes, alcohol, solvents or other products not recommended for chrome.</p> <p>All information is for reference only, installation shall always be based on the actual product delivered.</p>
------------------	---