
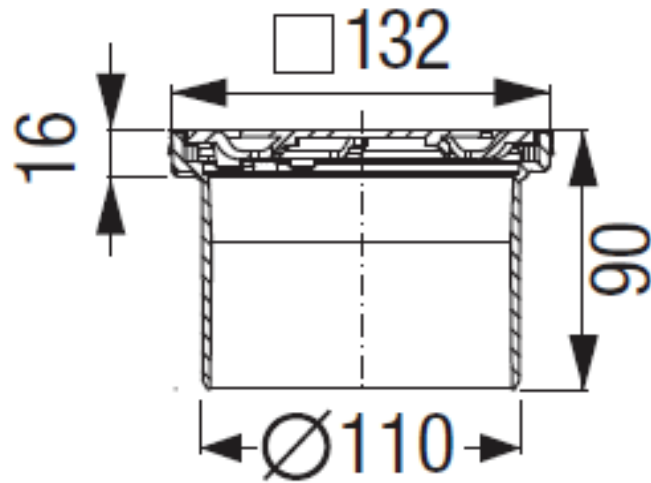


SPECIFICATION SHEET - Plumbing fittings

BRAND:		Product Photo: 
ORIGIN:	Germany	
SERIES:	DRAIN SYSTEMS	
PRODUCT DESCRIPTION:	Upper section ABS with stainless steel cover and rim 120mm, 300kg class load with KESSEL Lock & Lift System with spot design cover	
MODEL No.	27221	
FINISH/COLOUR:	Stainless Steel	
DIMENSIONS:		
OPTIONAL MATCHING PARTS:	40251 drain body	

Technical Informations:



REMINDER:	Pipe flushing must be done before faucets are installed. Failure to do so voids the warranty.
	Do not use cleaners containing abrasive cleansers, ammonia, bleach, acids, waxes, alcohol, solvents or other products not recommended for chrome.
	All information is for reference only, installation shall always be based on the actual product delivered.