
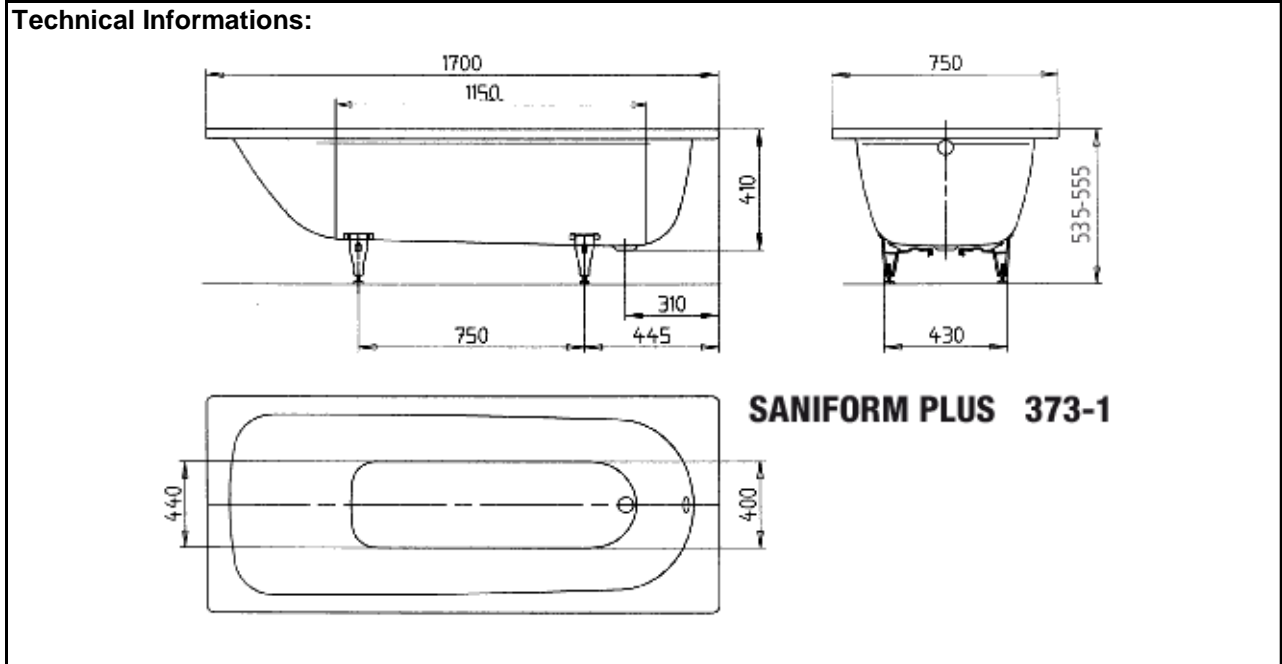


SPECIFICATION SHEET

BRAND:	KALDEWEI	Product Photo: 
ORIGIN:	Germany	
SERIES:	SANIFORM PLUS	
PRODUCT DESCRIPTION:	373-1 Saniform Plus One-seater Inlay bath with waste at foot end 3.5mm steel enamel water volume: 123 L with: 4075 waste and overflow 5030 allround leg set	
MODEL No.	1126 0001 0001	
FINISH/COLOUR:	Alpine White	
DIMENSIONS:	1700 x 750 x 410mm	
OPTIONAL MATCHING PARTS:		



REMINDER:	Please refer to the Installation Guide for proper installation.
	Do not use abrasive or aggressive cleaners and or contain chlorine or hydrochloric acid solution for cleaning.
	All information stated above are solely for reference only, and should be based on the actual submission sample. Dimensions and specifications are subject to change without prior notice.