
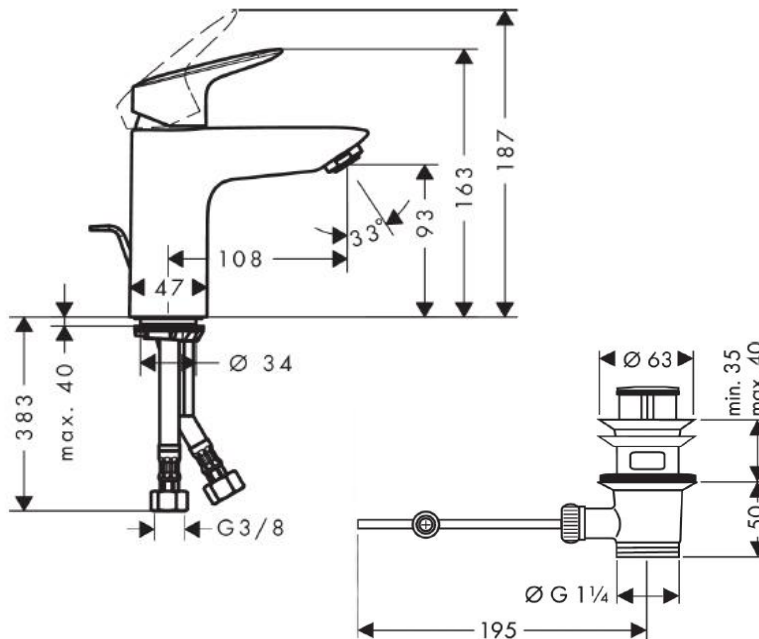


SPECIFICATION SHEET - fittings

BRAND:	hansgrohe	Product Photo: 
ORIGIN:	Germany	
SERIES:	Logis	
PRODUCT DESCRIPTION:	Single lever basin mixer 100 • with pop-up waste set G 1 ¼" • ComfortZone 100 • normal spray • flow rate: 5 l/min at 3 bars (45 psi) • flow pressure 1~5 bars (15~70 psi)	
MODEL No.	71102 000	
FINISH/COLOUR:	Chrome-plated	
DIMENSIONS:	187mm Height 108mm spout projection	
OPTIONAL MATCHING PARTS:	2x angle valve ½"x10mm (no nuts) 1x basin waste trap 1¼"	

Technical Informations: Suitable for continous flow water heater



REMINDER:	<p style="color: magenta;">Pipe flushing must be done before faucets are installed. Failure to do so voids the warranty.</p> <p>Do not use cleaners containing abrasive cleansers, ammonia, bleach, acids, waxes, alcohol, solvents or other products not recommended for chrome.</p> <p>All information is for reference only, installation shall always be based on the actual product delivered.</p>
------------------	--