
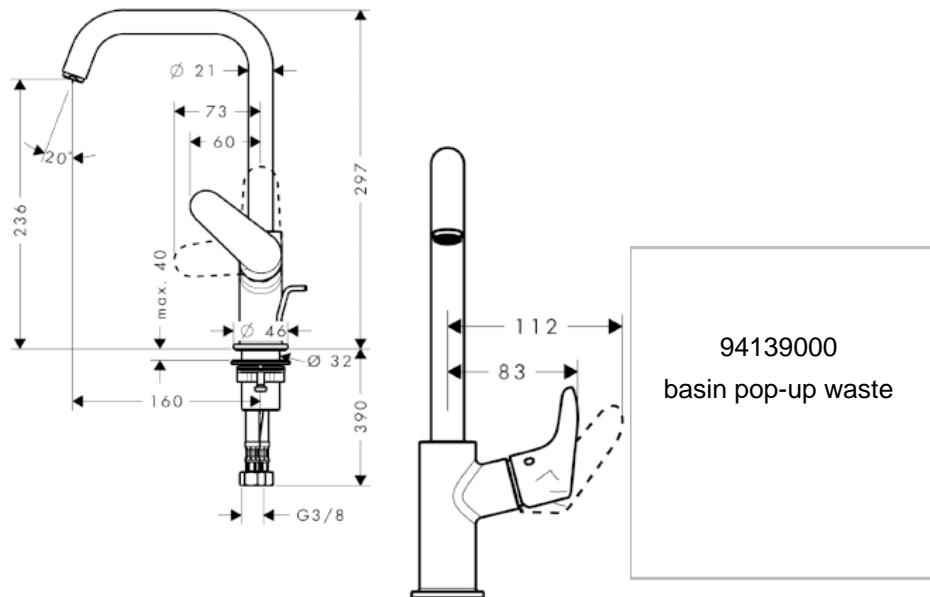


SPECIFICATION SHEET - fittings

BRAND:	hansgrohe	Product Photo: 
ORIGIN:	Germany	
SERIES:	Focus E2	
PRODUCT DESCRIPTION:	Single lever tall basin mixer 240 • with pop-up waste set G 1 ¼" • swivel spout range 120° • ComfortZone 240 • normal spray • flow rate: 5 l/min at 3 bars (45 psi) • flow pressure 1~5 bars (15~70 psi)	
MODEL No.	31609 000	
FINISH/COLOUR:	Chrome-plated	
DIMENSIONS:	297mm Height 160mm spout projection	
OPTIONAL MATCHING PARTS:	2x angle valve ½"x10mm (no nuts) 1x basin waste trap 1¼"	

Technical Informations:

Suitable for continous flow water heater



REMINDER:	Pipe flushing must be done before faucets are installed. Failure to do so voids the warranty.
	Do not use cleaners containing abrasive cleansers, ammonia, bleach, acids, waxes, alcohol, solvents or other products not recommended for chrome.
	All information is for reference only, installation shall always be based on the actual product delivered.