
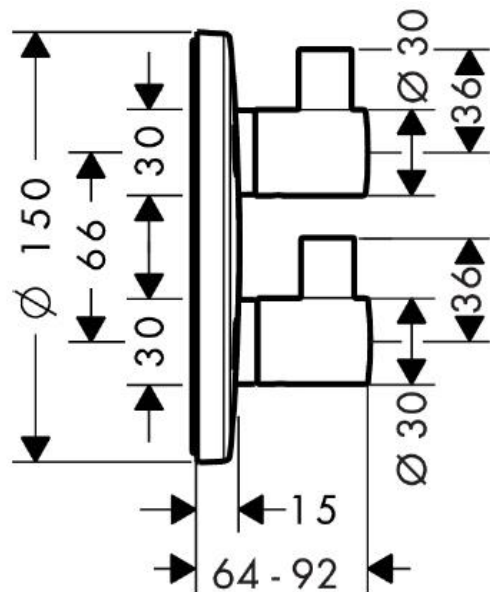



## SPECIFICATION SHEET - fittings

<b>BRAND:</b>	<b>hansgrohe</b>	<b>Product Photo:</b>  
<b>ORIGIN:</b>	Germany	
<b>SERIES:</b>	<b>iControl S</b>	
<b>PRODUCT DESCRIPTION:</b>	Finish set for wall concealed shut-off / diverter valve for 3 outlets • flow pressure 1~5 bars (15~70 psi)	
<b>MODEL No.</b>	15955 000	
<b>FINISH/COLOUR:</b>	Chrome-plated	
<b>DIMENSIONS:</b>		
<b>OPTIONAL MATCHING PARTS:</b>	01800180 basic concealed part	

**Technical Informations:**





**Optional 01800180 concealed part must be required, refer to related Specification Sheet**

<b>REMINDER:</b>	<p style="color: magenta;">Pipe flushing must be done before faucets are installed. Failure to do so voids the warranty.</p> <p>Do not use cleaners containing abrasive cleansers, ammonia, bleach, acids, waxes, alcohol, solvents or other products not recommended for chrome.</p> <p>All information is for reference only, installation shall always be based on the actual product delivered.</p>
------------------	---------------------------------------------------------------------------------------------------------------------------------------------------------------------------------------------------------------------------------------------------------------------------------------------------------------------------------------------------------------------------------------------------------