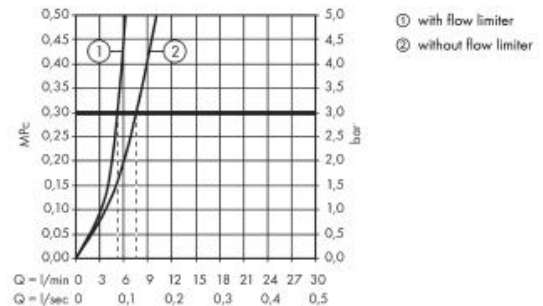
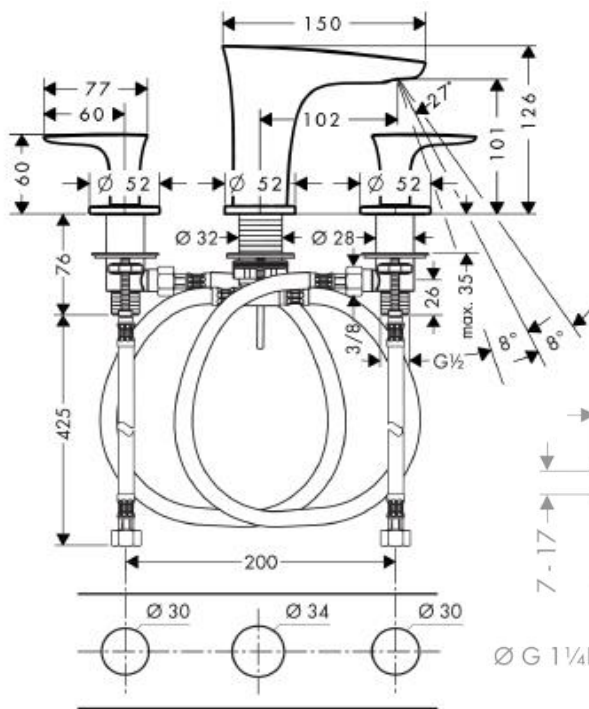


SPECIFICATION SHEET - fittings

BRAND:	hansgrohe	Product Photo: 
ORIGIN:	Germany	
SERIES:	PuraVida	
PRODUCT DESCRIPTION:	3-hole basin mixer 100 • Push-open pop-up waste set G 1 ¼" • ComfortZone 100 • laminar spray • lever handles with 90° ceramic valve • flow rate: 5 l/min at 3 bars (45 psi) • flow pressure 1~5 bars (15~70 psi)	
MODEL No.	15073 000 / 15073 400	
FINISH/COLOUR:	Chrome-plated / white-chrome	
DIMENSIONS:	344mm Height 178mm spout projection	
OPTIONAL MATCHING PARTS:	2x angle valve ½"x10mm (no nuts) 1x basin waste trap 1¼"	

Technical Informations: Suitable for continuous flow water heater



REMINDER: Pipe flushing must be done before faucets are installed. Failure to do so voids the warranty.
Do not use cleaners containing abrasive cleansers, ammonia, bleach, acids, waxes, alcohol, solvents or other products not recommended for chrome.
All information is for reference only, installation shall always be based on the actual product delivered.