
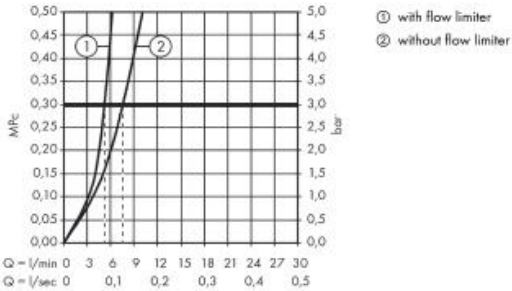
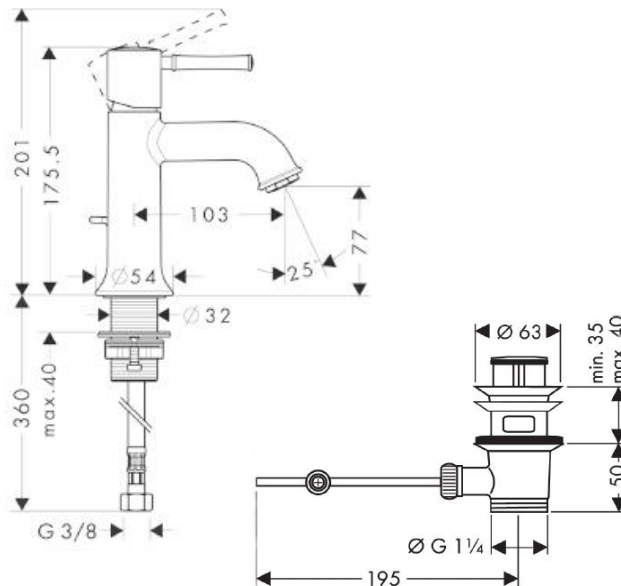


SPECIFICATION SHEET - fittings

BRAND:	hansgrohe	Product Photo:   <p style="font-size: small;"> ① with flow limiter ② without flow limiter </p>
ORIGIN:	Germany	
SERIES:	Talis Classic	
PRODUCT DESCRIPTION:	Single lever basin mixer 80 • with pop-up waste set G 1 ¼" • ComfortZone 780 • normal spray • flow rate: 5 l/min at 3 bars (45 psi) • flow pressure 1~5 bars (15~70 psi)	
MODEL No.	14111 000	
FINISH/COLOUR:	Chrome-plated	
DIMENSIONS:	201mm Height 103mm spout projection	
OPTIONAL MATCHING PARTS:	2x angle valve ½"x10mm (no nuts) 1x basin waste trap 1¼"	

Technical Informations: Suitable for continous flow water heater



REMINDER:	Pipe flushing must be done before faucets are installed. Failure to do so voids the warranty.
	Do not use cleaners containing abrasive cleansers, ammonia, bleach, acids, waxes, alcohol, solvents or other products not recommended for chrome.
	All information is for reference only, installation shall always be based on the actual product delivered.