

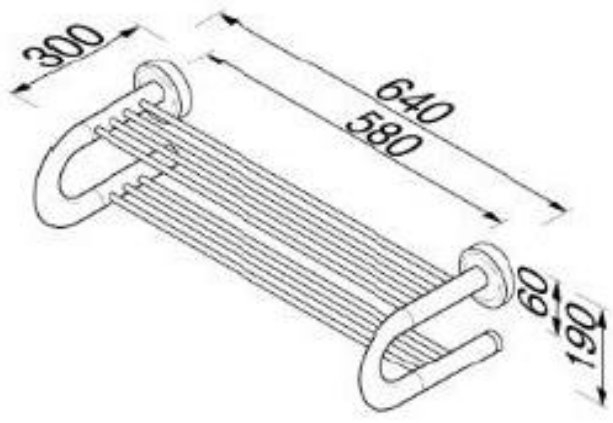


SPECIFICATION SHEET - bathroom accessories

BRAND:		Product Photo: 
ORIGIN:	Netherlands	
SERIES:	HOTEL/STANDARD	
PRODUCT DESCRIPTION:	Double towel rack 60cm	
MODEL No.	5355	
FINISH/COLOUR:	Chrome plated	
DIMENSIONS:	300mm L x 640mm W x 190mm H	
OPTIONAL MATCHING PARTS:		

Technical Informations:



REMINDER:	Do not use cleaners containing abrasive cleansers, ammonia, bleach, acids, waxes, alcohol, solvents or other products not recommended for chrome.
	All information is for reference only, installation shall always be based on the actual product delivered.