
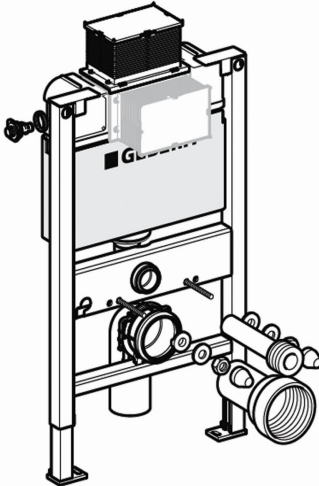
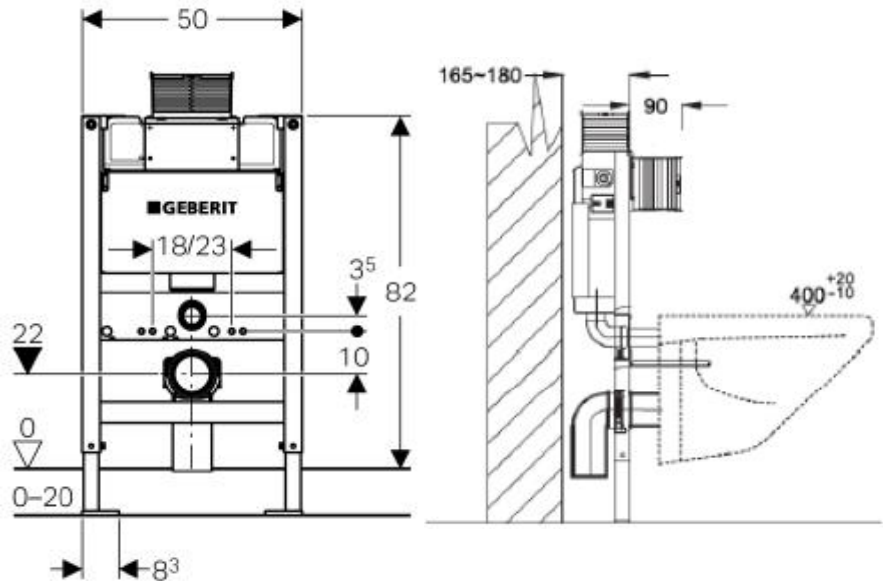


SPECIFICATION SHEET - Plumbing fittings

BRAND:		Product Photo: 
ORIGIN:	Switzerland	
SERIES:	KAPPA UP120	
PRODUCT DESCRIPTION:	Concealed cistern with frame for wall hung toilet, top access with: duofix element 4.5 / 3L front/top flushing	
MODEL No.	224.175.00.1	
FINISH/COLOUR:		
DIMENSIONS:	820mm x 500mm x 150mm	
OPTIONAL MATCHING PARTS:	Front cover plate	

Technical Informations:

REMINDER:	<p style="color: magenta; margin: 0;">Pipe flushing must be done before faucets are installed. Failure to do so voids the warranty.</p> <p style="font-size: small; margin: 0;">Do not use cleaners containing abrasive cleansers, ammonia, bleach, acids, waxes, alcohol, solvents or other products not recommended for chrome.</p> <p style="font-size: x-small; margin: 0;">All information is for reference only, installation shall always be based on the actual product delivered.</p>
------------------	---