
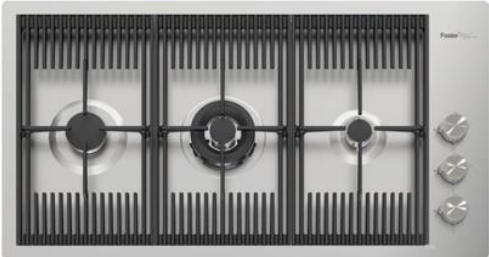


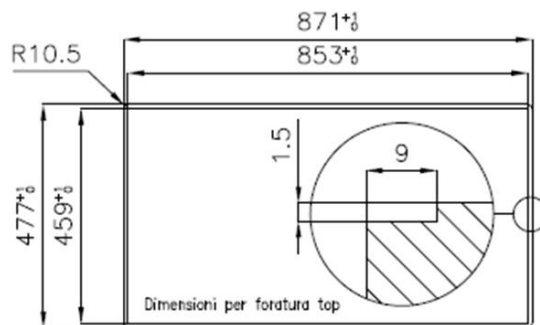
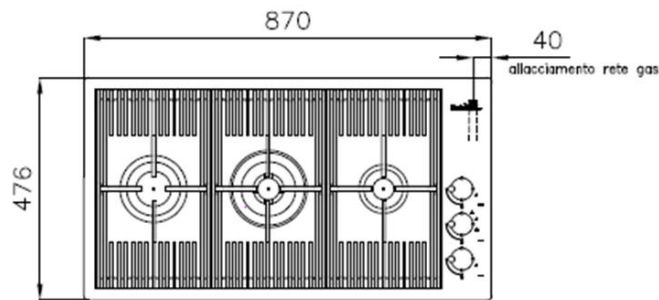
SPECIFICATION SHEET - kitchen appliances

BRAND:	Foster 	Product Photo: 
ORIGIN:	Italy	
SERIES:	Milanello	
PRODUCT DESCRIPTION:	Built-in gas cooker hob - with cast iron gribs and holding area, - 3 cooking burners: 5.0, 1.75 & 1.0kW, - electric ignition with safety device, - 220V/50~60Hz	
MODEL No.	7680.000	
FINISH/COLOUR:	304 stainless steel top	
DIMENSIONS:	Overall: 870 W x 476 W mm Opening: 853 W x 459 W mm	
OPTIONAL MATCHING PARTS:		

Technical Informations:

voltage/frequency : 220V/50-60Hz 1 Phase

total power : 0.1 kW



Minimum 200mm² ventilation space at back of housing unit must be required.

REMINDER:	Do not use abrasive or aggressive cleaners and or contain chlorine or hydrochloric acid solution for cleaning.
	Sufficient ventilation must be provided for oven, microwave, steamer & hobs according to requirement.
	All information stated above are solely for reference only, and should be based on the actual submission sample. Dimensions and specifications are subject to change without prior notice.