

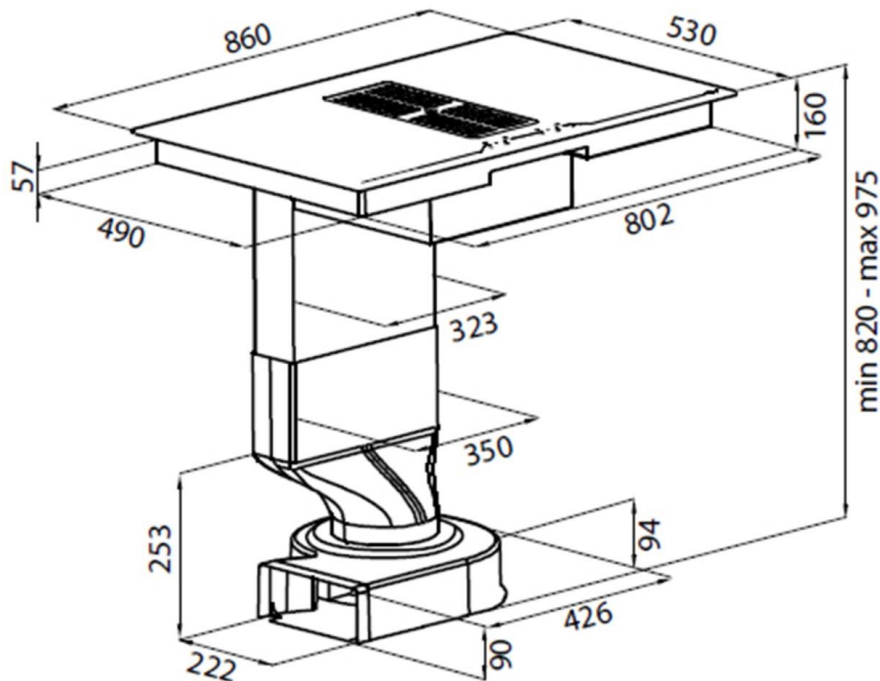
SPECIFICATION SHEET - kitchen appliances

BRAND:	Foster	Product Photo: 
ORIGIN:	Italy	
SERIES:	Milano Air	
PRODUCT DESCRIPTION:	Built-in Induction cooker hob with downdraft hood, - 4 cooking areas w/ Slider electronic control, - 220V/50~60Hz 7.4kW	
MODEL No.	7391.245	
FINISH/COLOUR:	Black bevelled glass top	
DIMENSIONS:	Overall: 840 W x 530 W x 57 D mm Opening: 802 W x 490 W mm	
OPTIONAL MATCHING PARTS:	9700.529 Regenerable carbon filter for Milano Air downdraft hood	

Technical Informations:

voltage/frequency : 220V/50-60Hz 1 Phase

total power : 7.4 kW



Minimum 200mm² ventilation space at back of housing unit must be required.

REMINDER:	Do not use abrasive or aggressive cleaners and or contain chlorine or hydrochloric acid solution for cleaning.
	Sufficient ventilation must be provided for oven, microwave, steamer & hobs according to requirement.
	All information stated above are solely for reference only, and should be based on the actual submission sample. Dimensions and specifications are subject to change without prior notice.