


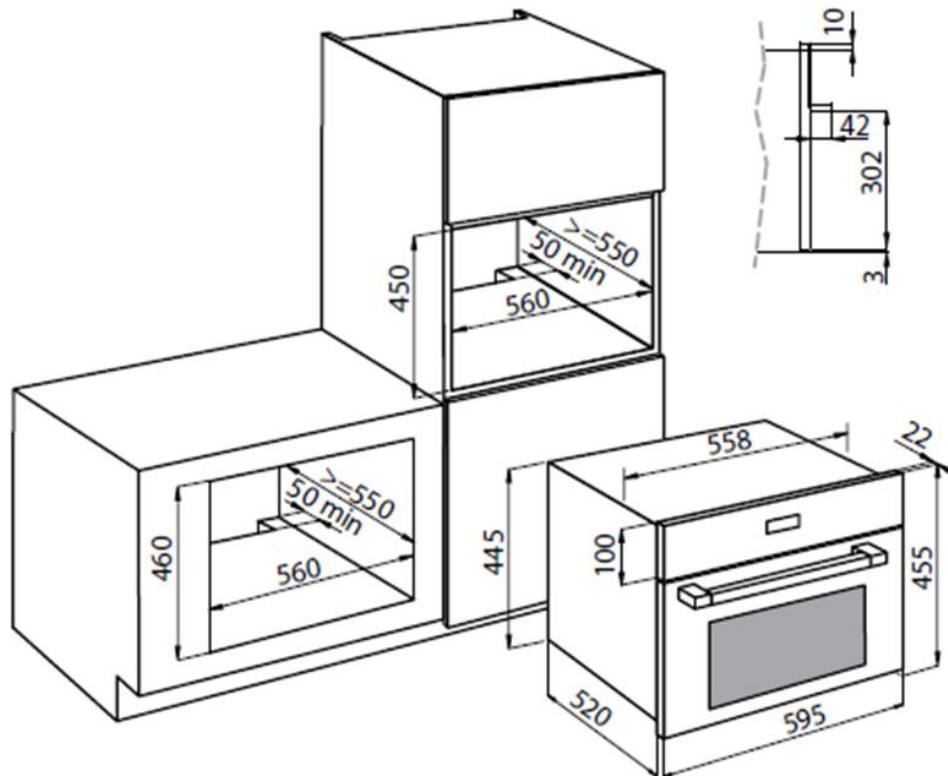
## SPECIFICATION SHEET - kitchen appliances

|                                 |   |   |
|---------------------------------|---|---|
| <b>BRAND:</b>                   | <b>Foster</b>   | <b>Product Photo:</b><br><br> |
| <b>ORIGIN:</b>                  | Italy   |   |
| <b>SERIES:</b>                  | FL  |   |
| <b>PRODUCT DESCRIPTION:</b>     | Built-in steamer-oven 35 L.,<br>- electronic control,<br>- 220V/50~60Hz 1.5kW |   |
| <b>MODEL No.</b>                | 7103.686  |   |
| <b>FINISH/COLOUR:</b>           | Black mirror front  |   |
| <b>DIMENSIONS:</b>              | Overall: 595 W x 455 H x 520 D mm<br>Opening: 560 W x 450 H x 550 D mm        |   |
| <b>OPTIONAL MATCHING PARTS:</b> |   |   |

**Technical Informations:**

voltage/frequency : 220V/50-60Hz 1 Phase

total power : 1.5 kW



**Minimum 200mm<sup>2</sup> ventilation space at back of housing unit must be required.**

|                  |  |
|------------------|--|
| <b>REMINDER:</b> | Do not use abrasive or aggressive cleaners and or contain chlorine or hydrochloric acid solution for cleaning.   |
|                  | Sufficient ventilation must be provided for oven, microwave, steamer & hobs according to requirement.  |
|                  | All information stated above are solely for reference only, and should be based on the actual submission sample. Dimensions and specifications are subject to change without prior notice. |