



SPECIFICATION SHEET - kitchen appliances

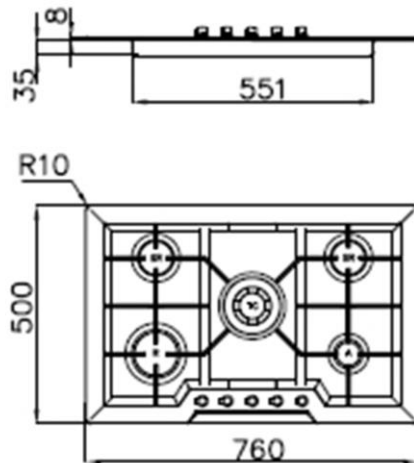
BRAND:	Foster 	Product Photo: 
ORIGIN:	Italy	
SERIES:	Elettra	
PRODUCT DESCRIPTION:	Built-in gas cooker hob - with cast iron gribs, - 5 cooking burners: 3.5,2.7,2x1.75 &1.0kW - electric ignition with safety device, - 220V/50~60Hz	
MODEL No.	7064.062	
FINISH/COLOUR:	304 stainless steel top	
DIMENSIONS:	Overall: 760 W x 500 W mm Opening: 560 W x 480 W mm	
OPTIONAL MATCHING PARTS:		

Technical Informations:

voltage/frequency : 220V/50-60Hz 1 Phase

total power : 0.1 kW

Standard: 760x500 - cut-out: 560x480



Model which cannot be welded into stainless steel worktops

Minimum 200mm² ventilation space at back of housing unit must be required.

REMINDER:	Do not use abrasive or aggressive cleaners and or contain chlorine or hydrochloric acid solution for cleaning.
	Sufficient ventilation must be provided for oven, microwave, steamer & hobs according to requirement.
	All information stated above are solely for reference only, and should be based on the actual submission sample. Dimensions and specifications are subject to change without prior notice.