

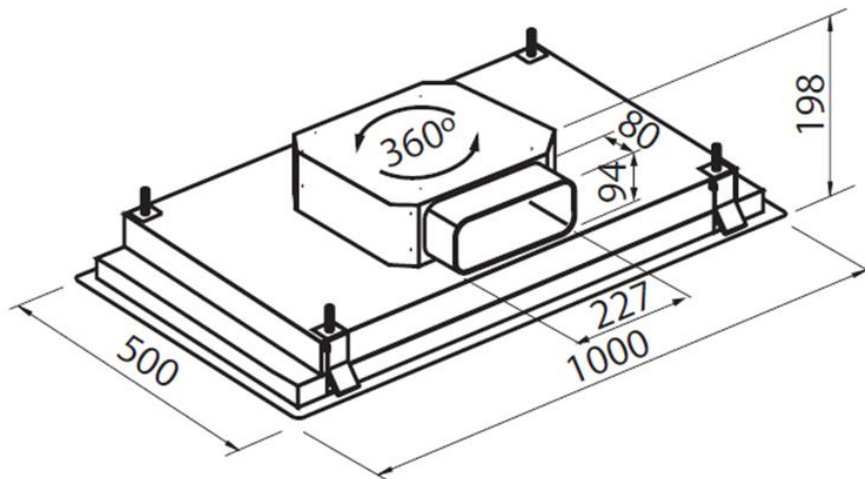


**SPECIFICATION SHEET - kitchen appliances**

<b>BRAND:</b>	<b>Foster</b> 	<b>Product Photo:</b>  
<b>ORIGIN:</b>	Italy	
<b>SERIES:</b>	<b>Breeze Inox</b>	
<b>PRODUCT DESCRIPTION:</b>	<b>Breeze Inox</b> Ceiling suction hood, - with 2 LED light strip, - with remote control, - ceiling height 200~280cm, - 220V/50~60Hz 85W, - suction: 930m3/hr. (Exhaust pipe installation only, NO carbon filter)	
<b>MODEL No.</b>	2357.001	
<b>FINISH/COLOUR:</b>	304 stainless steel top	
<b>DIMENSIONS:</b>	Overall: 1000 W x 500 W mm	
<b>OPTIONAL MATCHING PARTS:</b>		

**Technical Informations:**  
 voltage/frequency : 220V/50-60Hz 1 Phase  
 total power : 85 W



**Minimum 200mm<sup>2</sup> ventilation space at back of housing unit must be required.**

<b>REMINDER:</b>	Do not use abrasive or aggressive cleaners and or contain chlorine or hydrochloric acid solution for cleaning.
	Sufficient ventilation must be provided for oven, microwave, steamer & hobs according to requirement.
	All information stated above are solely for reference only, and should be based on the actual submission sample. Dimensions and specifications are subject to change without prior notice.