



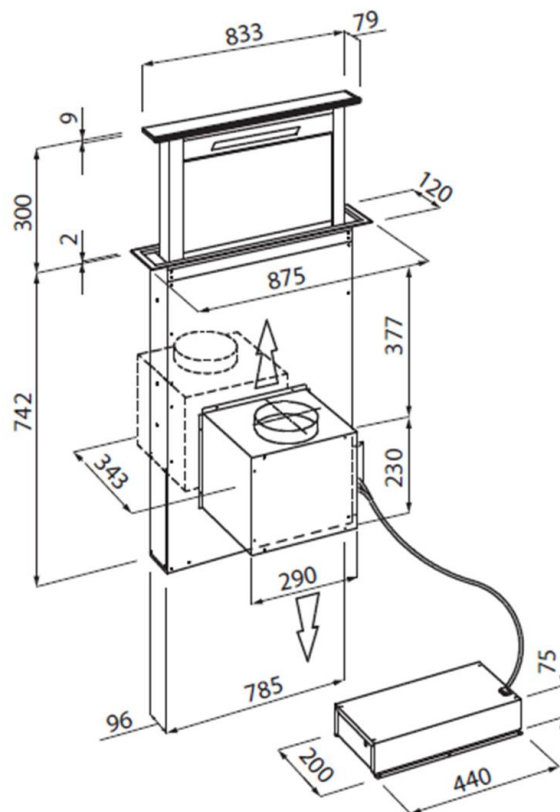
**SPECIFICATION SHEET - kitchen appliances**

<b>BRAND:</b>	<b>Foster</b> 	<b>Product Photo:</b> 
<b>ORIGIN:</b>	Italy	
<b>SERIES:</b>	<b>Ghost 90FT</b>	
<b>PRODUCT DESCRIPTION:</b>	Deck-mounted downdraft hood, - with touch control, - 220V/50~60Hz 275W, - suction: 730m3/hr.	
<b>MODEL No.</b>	2451.090	
<b>FINISH/COLOUR:</b>	Black glass top	
<b>DIMENSIONS:</b>	Overall: 875 W x 120 W mm	
<b>OPTIONAL MATCHING PARTS:</b>	9700.603 silencing kit for Ø150 pipe 9700.459 Remote motor installation 9700.460 2 carbon filter for recirculation	

**Technical Informations:**

voltage/frequency : 220V/50-60Hz 1 Phase

total power : **275 W**



**Minimum 200mm<sup>2</sup> ventilation space at back of housing unit must be required.**

<b>REMINDER:</b>	Do not use abrasive or aggressive cleaners and or contain chlorine or hydrochloric acid solution for cleaning.
	Sufficient ventilation must be provided for oven, microwave, steamer & hobs according to requirement.
	All information stated above are solely for reference only, and should be based on the actual submission sample. Dimensions and specifications are subject to change without prior notice.