



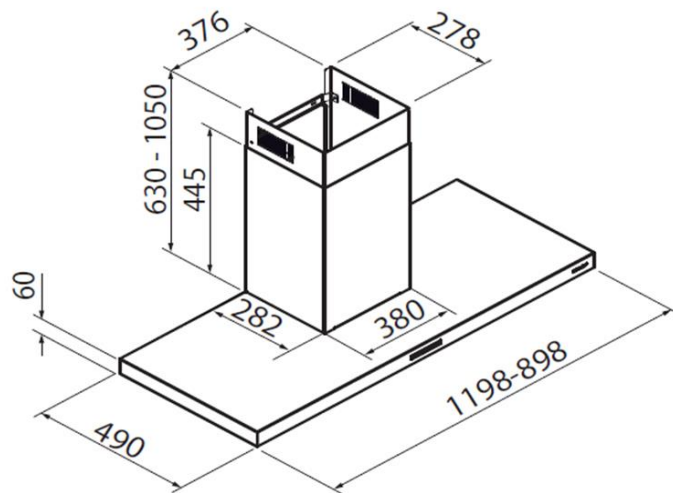
SPECIFICATION SHEET - kitchen appliances

BRAND:	Foster 	Product Photo: 
ORIGIN:	Italy	
SERIES:	S4001	
PRODUCT DESCRIPTION:	Wall mounted range hood, - with telescopic chimney, LED lights - 220V/50~60Hz 180W, - suction: 700m3/hr.	
MODEL No.	2440.091	
FINISH/COLOUR:	Stainless steel	
DIMENSIONS:	Overall: 900 W x 490 D mm Height: 630~1050 mm Ht.	
OPTIONAL MATCHING PARTS:	9700.603 silencing kit for Ø150 pipe 9700.001 carbon filter for recirculation	

Technical Informations:

voltage/frequency : 220V/50-60Hz 1 Phase

total power : 180 W



REMINDER:	Do not use abrasive or aggressive cleaners and or contain chlorine or hydrochloric acid solution for cleaning.
	Sufficient ventilation must be provided for oven, microwave, steamer & hobs according to requirement.
	All information stated above are solely for reference only, and should be based on the actual submission sample. Dimensions and specifications are subject to change without prior notice.