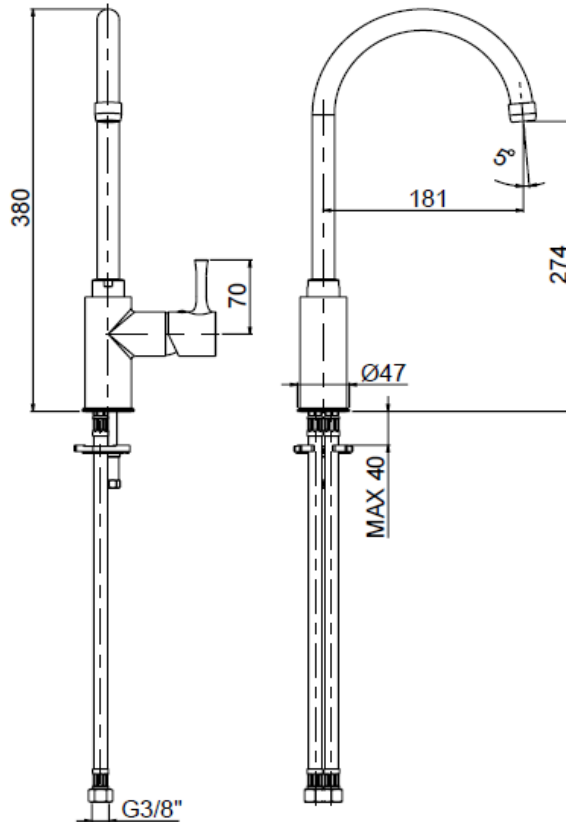


SPECIFICATION SHEET - fittings

BRAND:		Product Photo: 
ORIGIN:	Italy	
SERIES:	VANITY	
PRODUCT DESCRIPTION:	Single lever sink mixer with high spout	
MODEL No.	72165.00	
FINISH/COLOUR:	Chrome plated	
DIMENSIONS:	380mm height 181mm spout projection	
OPTIONAL MATCHING PARTS:	2x angle valve 1/2"x3/8" (no nuts)	

Technical Informations:



REMINDER:	Pipe flushing must be done before faucets are installed. Failure to do so voids the warranty.
	Do not use cleaners containing abrasive cleansers, ammonia, bleach, acids, waxes, alcohol, solvents or other products not recommended for chrome.
	All information is for reference only, installation shall always be based on the actual product delivered.