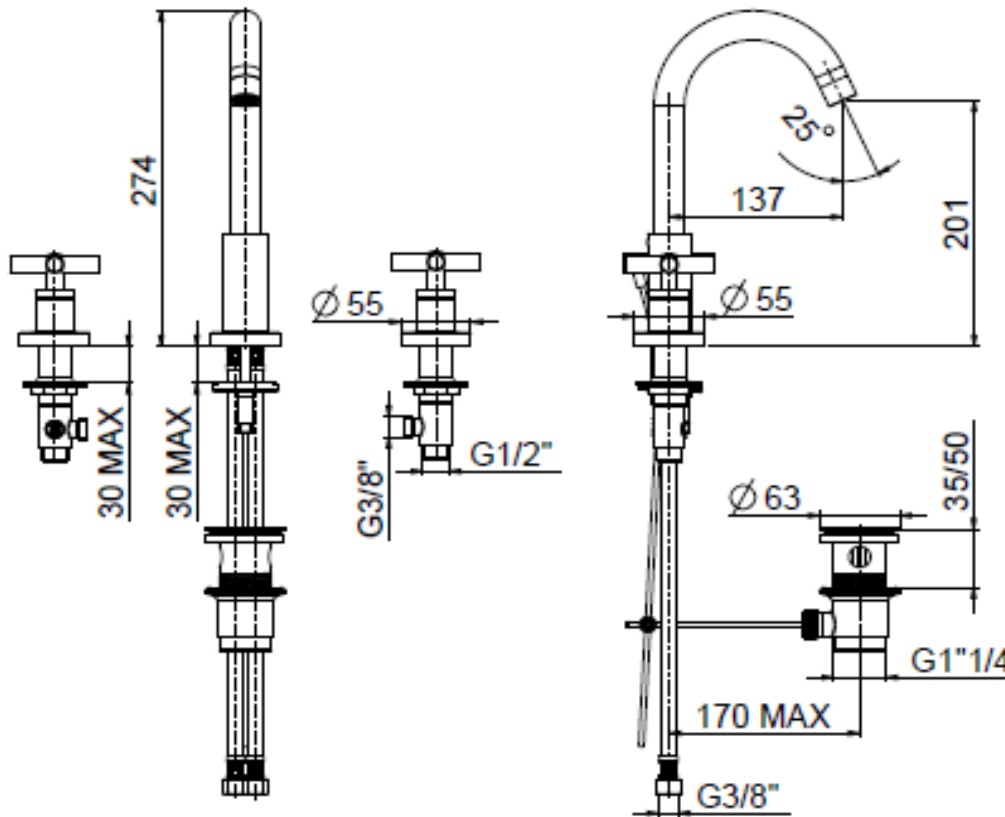


SPECIFICATION SHEET - fittings

BRAND:		Product Photo: 
ORIGIN:	Italy	
SERIES:	PIBIGI EXPLORER by FRATTINI	
PRODUCT DESCRIPTION:	3-hole widespread basin mixer with with 1¼" pop-up waste	
MODEL No.	48068.00	
FINISH/COLOUR:	Chrome plated	
DIMENSIONS:	274mm height 137mm spout projection	
OPTIONAL MATCHING PARTS:	2x angle valve 1/2"x3/8" (no nuts) 1x waste water trap	

Technical Informations:



REMINDER:	<p style="color: magenta;">Pipe flushing must be done before faucets are installed. Failure to do so voids the warranty.</p> <p>Do not use cleaners containing abrasive cleansers, ammonia, bleach, acids, waxes, alcohol, solvents or other products not recommended for chrome.</p> <p>All information is for reference only, installation shall always be based on the actual product delivered.</p>
------------------	---