
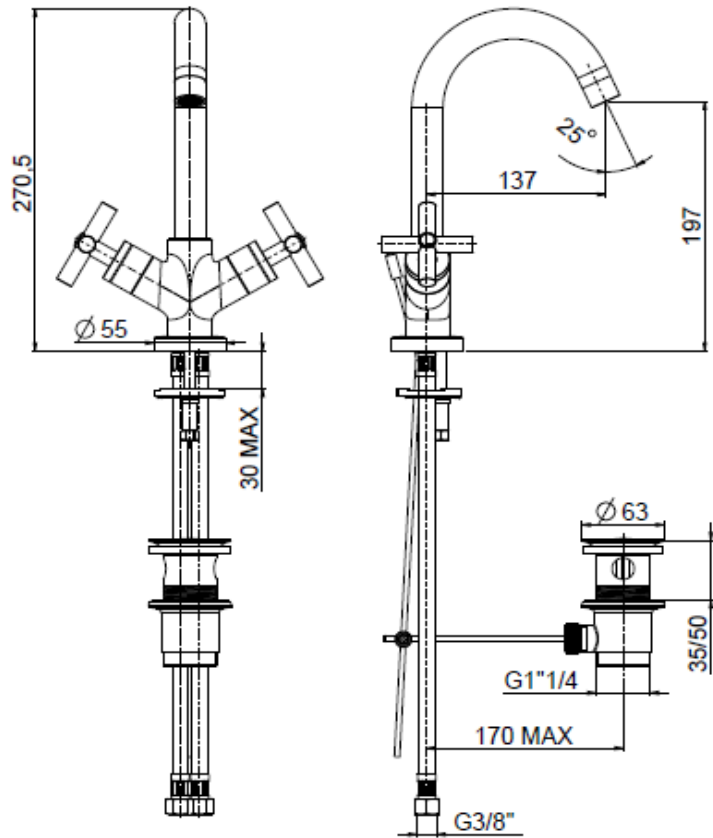


SPECIFICATION SHEET - fittings

BRAND:	
ORIGIN:	Italy
SERIES:	PIBIGI EXPLORER by FRATTINI
PRODUCT DESCRIPTION:	2-handle 1 hole Basin mixer with 1-1/4" pop-up waste
MODEL No.	48064.00
FINISH/COLOUR:	Chrome plated
DIMENSIONS:	270.5mm height 137mm spout projection
OPTIONAL MATCHING PARTS:	2x angle valve 1/2"x3/8" (no nuts) 1x waste water trap



Technical Informations:



REMINDER:	<p>Pipe flushing must be done before faucets are installed. Failure to do so voids the warranty.</p> <p>Do not use cleaners containing abrasive cleansers, ammonia, bleach, acids, waxes, alcohol, solvents or other products not recommended for chrome.</p> <p>All information is for reference only, installation shall always be based on the actual product delivered.</p>
------------------	---