

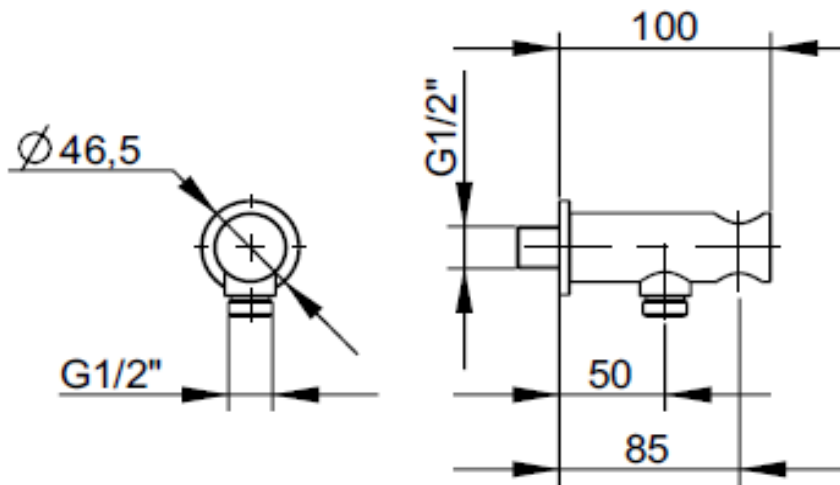


SPECIFICATION SHEET - fittings

BRAND:		Product Photo: 
ORIGIN:	Italy	
SERIES:	GINGO	
PRODUCT DESCRIPTION:	Wall outlet 1/2"x1/2" with holder	
MODEL No.	45701.00	
FINISH/COLOUR:	Chrome plated	
DIMENSIONS:		
OPTIONAL MATCHING PARTS:		

Technical Informations:



REMINDER:	<p style="color: magenta;">Pipe flushing must be done before faucets are installed. Failure to do so voids the warranty.</p> <p>Do not use cleaners containing abrasive cleansers, ammonia, bleach, acids, waxes, alcohol, solvents or other products not recommended for chrome.</p> <p>All information is for reference only, installation shall always be based on the actual product delivered.</p>
------------------	---------------------------------------------------------------------------------------------------------------------------------------------------------------------------------------------------------------------------------------------------------------------------------------------------------------------------------------------------------------------------------------------------------