

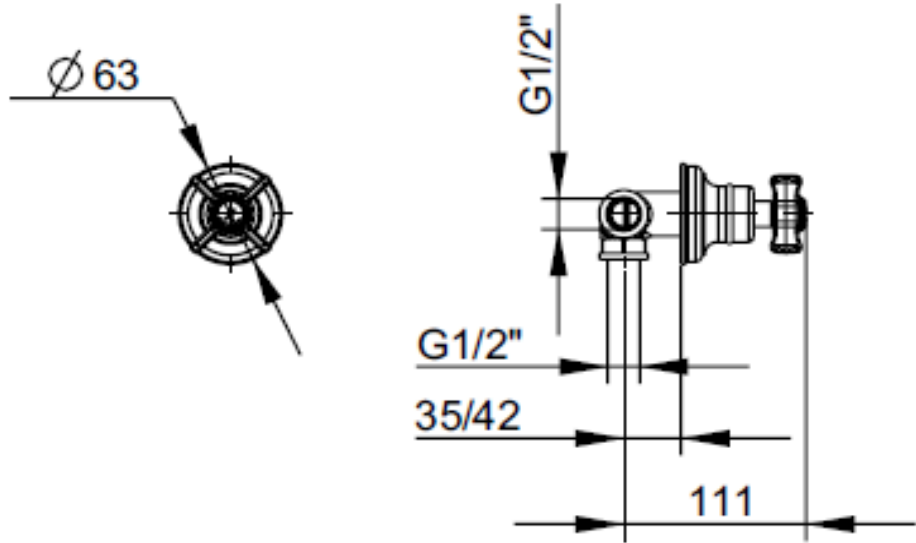


SPECIFICATION SHEET - fittings

BRAND:		Product Photo: 
ORIGIN:	Italy	
SERIES:	MUSA	
PRODUCT DESCRIPTION:	Concealed Angular shower valve 1/2" (per piece)	
MODEL No.	23030.00	
FINISH/COLOUR:	Chrome-plated	
DIMENSIONS:	111mm length	
OPTIONAL MATCHING PARTS:		

Technical Informations:



REMINDER:	Pipe flushing must be done before faucets are installed. Failure to do so voids the warranty.
	Do not use cleaners containing abrasive cleansers, ammonia, bleach, acids, waxes, alcohol, solvents or other products not recommended for chrome.
	All information is for reference only, installation shall always be based on the actual product delivered.