

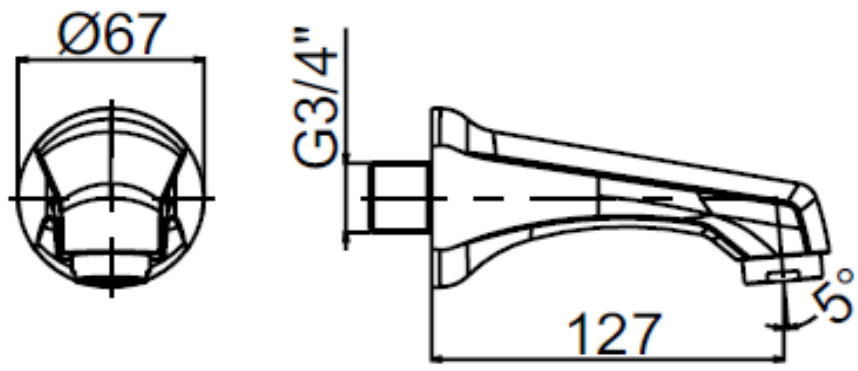


SPECIFICATION SHEET - sanitary faucets

BRAND:		Product Photo: 
ORIGIN:	Italy	
SERIES:	Tuingo	
PRODUCT DESCRIPTION:	Bath spout ¾"	
MODEL No.	18897.00	
FINISH/COLOUR:	Chrome plated	
DIMENSIONS:	127mm spout projection	
OPTIONAL MATCHING PARTS:		

Technical Informations:



REMINDER:	Pipe flushing must be done before faucets are installed. Failure to do so voids the warranty.
	Do not use cleaners containing abrasive cleansers, ammonia, bleach, acids, waxes, alcohol, solvents or other products not recommended for chrome.
	All information is for reference only, installation shall always be based on the actual product delivered.