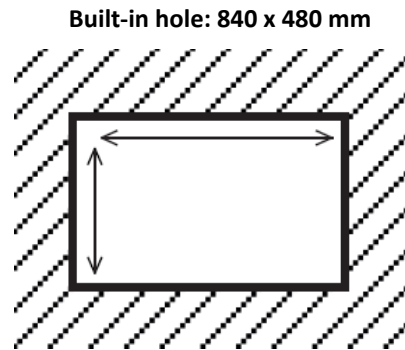
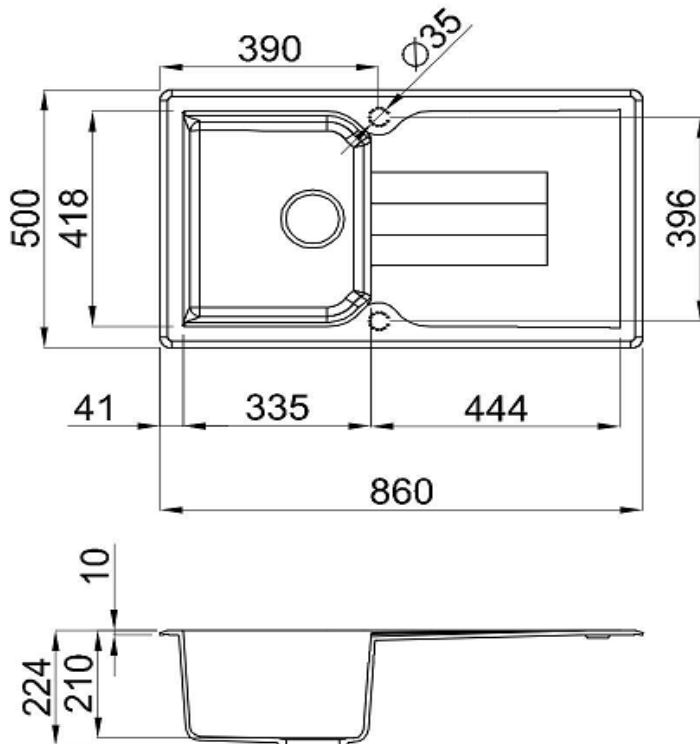


## SPECIFICATION SHEET - kitchen sinks

<b>BRAND:</b>		<b>Product Photo:</b> 
<b>ORIGIN:</b>	China	
<b>SERIES:</b>	<b>Venice (Ytalo)</b>	
<b>PRODUCT DESCRIPTION:</b>	<p><b>Natural granite-resin inset kitchen sink, with</b></p> <ul style="list-style-type: none"> <li>- 1 bowl with drainboard</li> <li>- reversible</li> <li>- Scratch resistant,</li> <li>- Temperature &amp; High impact resistant</li> <li>- 3½" waste strainer + bottletrap</li> </ul>	
<b>MODEL No. &amp; COLOUR:</b>	LMN400-70 Ghisa LMN400-73 Titanium LGN400-68 Bianco TiTano	
<b>DIMENSIONS:</b>	860 x 500mm	
<b>OPTIONAL MATCHING PARTS:</b>		

**Technical Informations:**

**Tap hole(s) is/are pre-punched, please specify to warehouse for punching tap hole(s) before delivery.**



<b>REMINDER:</b>	Do not use cleaners containing abrasive cleansers, ammonia, bleach, acids, waxes, alcohol, solvents or other products not recommended for chrome. All information is for reference only, installation shall always be based on the actual product delivered.
------------------	---