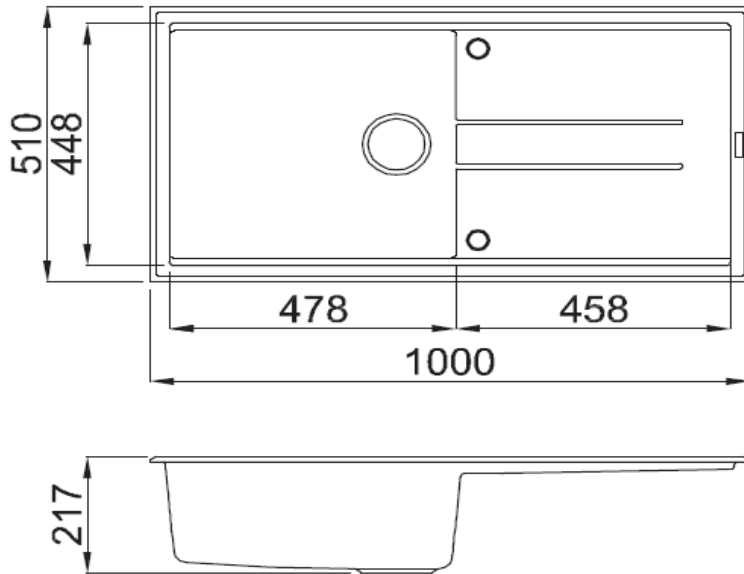


SPECIFICATION SHEET - kitchen sinks

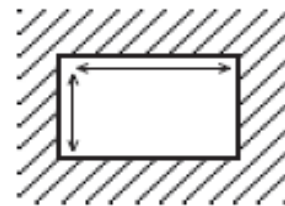
BRAND:		Product Photo: 
ORIGIN:	China	
SERIES:	Square (Ytalo)	
PRODUCT DESCRIPTION:	<p>Natural granite-resin inset kitchen sink, with</p> <ul style="list-style-type: none"> - 1 bowl with drainboard - reversible - Scratch resistant, - Temperature & High impact resistant - 3½" waste strainer + bottletrap 	
MODEL No. & COLOUR:	LMN480-70 Ghisa LMN480-73 Titanium LGN480-68 Bianco TiTano	
DIMENSIONS:	1000 x 510 mm	
OPTIONAL MATCHING PARTS:		

Technical Informations:

Tap hole(s) is/are pre-punched, please specify to warehouse for punching tap hole(s) before delivery.



Built-in hole: 980 x 480 mm



REMINDER:	Do not use cleaners containing abrasive cleansers, ammonia, bleach, acids, waxes, alcohol, solvents or other products not recommended for chrome. All information is for reference only, installation shall always be based on the actual product delivered.
------------------	---