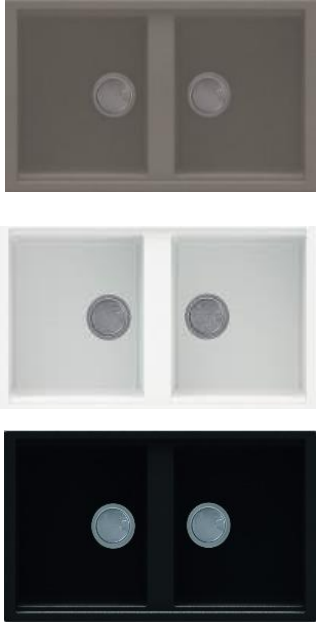
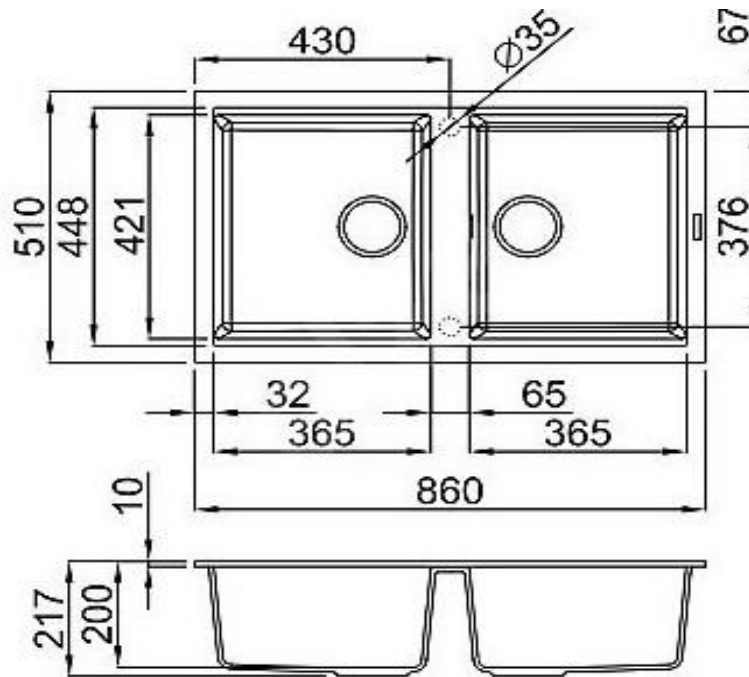


SPECIFICATION SHEET - kitchen sinks

BRAND:		Product Photo: 
ORIGIN:	Italy	
SERIES:	Best 450	
PRODUCT DESCRIPTION:	Natural granite-resin inset kitchen sink, with - Rectangular double bowl - Scratch resistant, - Temperature & High impact resistant - 3 1/2" waste strainer x2 - double sink bottletrap	
MODEL No. & COLOUR:	LMB450-73 Titanium LGB450-68 Bianco Titano LGB450-40 Full Black	
DIMENSIONS:	860 x 510 mm	
OPTIONAL MATCHING PARTS:		

Technical Informations:

Tap hole(s) is/are pre-punched, please specify to warehouse for punching tap hole(s) before delivery.



REMINDER:	Do not use cleaners containing abrasive cleansers, ammonia, bleach, acids, waxes, alcohol, solvents or other products not recommended for chrome. All information is for reference only, installation shall always be based on the actual product delivered.
------------------	---