
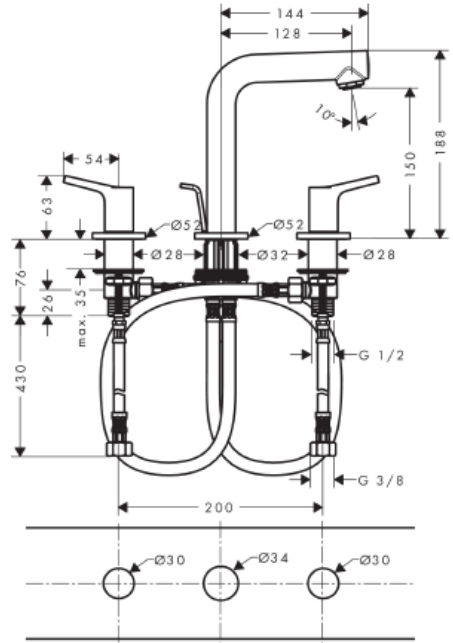


## SPECIFICATION SHEET - fittings

<b>BRAND:</b>	<b>hansgrohe</b>	<b>Product Photo:</b>  
<b>ORIGIN:</b>	Germany	
<b>SERIES:</b>	<b>Talis S</b>	
<b>PRODUCT DESCRIPTION:</b>	3-hole 2-handle basin mixer 150 • with basin pop-up waste 1¼" • Flow rate: 5 l./min. at 3 bar • Flow pressure; 1~5 bar (15~70 psi)	
<b>MODEL No.</b>	72130 000	
<b>FINISH/COLOUR:</b>	Chrome-plated	
<b>DIMENSIONS:</b>	144mm L x 188mm H 128mm spout projection	
<b>OPTIONAL MATCHING PARTS:</b>	2x angle valve ½"x¾" basin waste trap	

**Technical Informations:** Suitable for continous flow water heater



**REMINDER:** Pipe flushing must be done before faucets are installed. Failure to do so voids the warranty.  
 Do not use cleaners containing abrasive cleansers, ammonia, bleach, acids, waxes, alcohol, solvents or other products not recommended for chrome.  
 All information is for reference only, installation shall always be based on the actual product delivered.