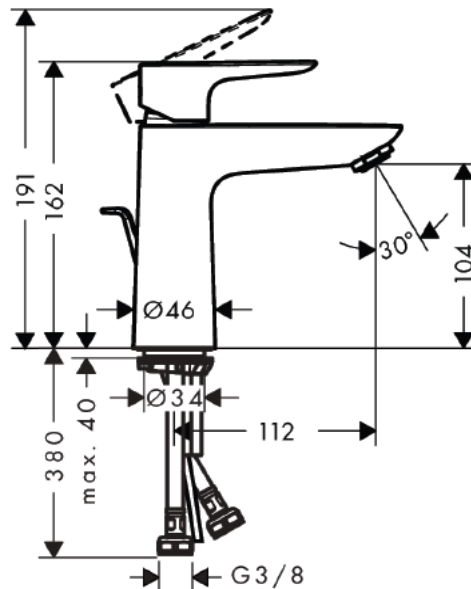


## SPECIFICATION SHEET - fittings

<b>BRAND:</b>	hansgrohe	<b>Product Photo:</b>  
<b>ORIGIN:</b>	Germany	
<b>SERIES:</b>	<b>Talis E</b>	
<b>PRODUCT DESCRIPTION:</b>	Single lever basin mixer 110 with CoolStart • with basin pop-up waste 1¼" • Flow rate: 5 l./min. at 3 bar • Flow pressure; 1~5 bar (15~70 psi)	
<b>MODEL No.</b>	71710 000	
<b>FINISH/COLOUR:</b>	Chrome-plated	
<b>DIMENSIONS:</b>	162mm height 112mm spout projection	
<b>OPTIONAL MATCHING PARTS:</b>	2x angle valve ½"x¾" basin waste trap	

**Technical Informations:** Suitable for continous flow water heater



<b>REMINDER:</b>	Pipe flushing must be done before faucets are installed. Failure to do so voids the warranty.
	Do not use cleaners containing abrasive cleansers, ammonia, bleach, acids, waxes, alcohol, solvents or other products not recommended for chrome.
	All information is for reference only, installation shall always be based on the actual product delivered.