



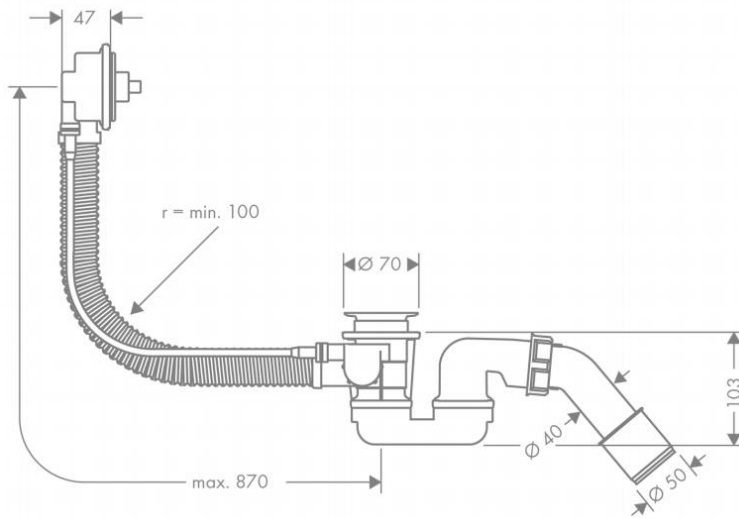
Brand : HANSGROHE, Germany
 Name : Flexaplust Basic Waste and Overflow for Special Bath Tubs
 Item Code : 58141.180
 Designer : Hansgrohe
 Color / Finish :
 Dimensions :

Product info

- Suitable for special bath tubs
- PE screw connection G 1½ x 40/ 50 mm
- Flexible overflow hose
- Bowden cable length 780 mm

Add-on

- 1 x 58185.000 Finish set for waste and overflow



Flushing of pipe must be done before fittings are installed. Failure to do so voids the warranty.

Follow cleaning instructions and avoid using any harmful chemicals.

All information is for reference only. Installation shall always be based on the specs provided with actual delivered items.

For more info, visit www.kuysen.com